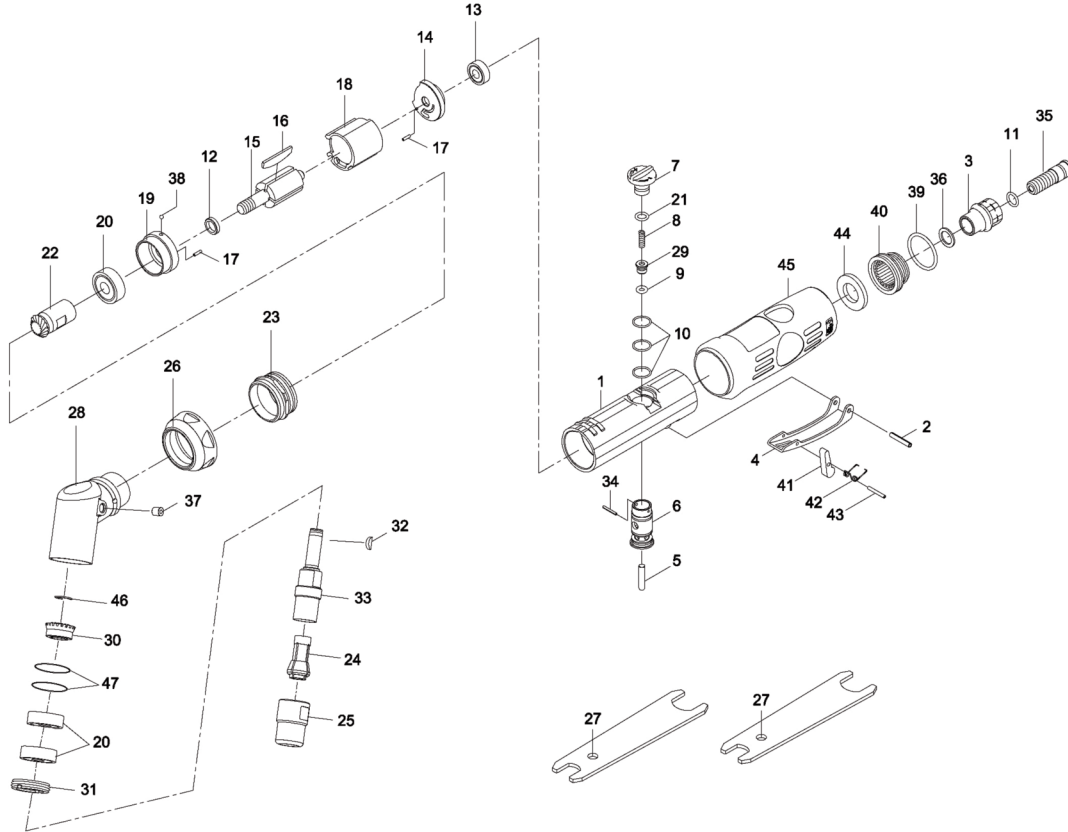




115° ANGLE DIE GRINDER 6mm (1/4") - 20,000rpm

Spare Parts Breakdown



INDEX NO.	ORDER CODE	DESCRIPTION
01	KBE-298-5822C	Motor Housing
02	KBE-298-9302S	Lever Pin (3x18L)
03	KBE-298-5602C	Air Inlet
04	KBE-298-9304S	Throttle Lever
05	KBE-298-9305S	Valve Shaft
06	KBE-298-5822G	Valve
07	KBE-298-5822M	Knob
08	KBE-298-9308S	Spring
09	KBE-298-5206G	O-Ring (3.8x1.9)
10	KBE-298-9336S	O-Ring (3of) (10.5x1.0)
11	KBE-298-5268X	O-Ring (7.5x1.5)
12	KBE-298-9344S	Rotor Spacer
13	KBE-298-5510L	Ball Bearing (2of) (696ZZ)
14	KBE-298-9314S	Rear End Plate
15	KBE-298-9315S	Rotor
16	KBE-298-9316S	Vane (4of)
17	KBE-298-5616S	Spring Pin (2of) (1.5x6)
18	KBE-298-9318S	Cylinder
19	KBE-298-9319S	Front End Plate
20	KBE-298-9320S	Ball Bearing (3of) (608ZZ)
21	KBE-298-5735M	O-Ring (6x1.5)
22	KBE-298-9348S	Pinion Gear
23	KBE-298-9323S	Front Coupling
24	KBE-298-9324S	Collet

INDEX NO.	ORDER CODE	DESCRIPTION
25	KBE-298-9325S	Collet Nut
26	KBE-298-9326S	Front Cap
27	KBE-298-9327S	Spanner (2of)
28	KBE-298-5824D	Head
29	KBE-298-9340S	Throttle Valve
30	KBE-298-9350S	Bevel Gear
31	KBE-298-9331S	Lock Ring
32	KBE-298-1969S	Key
33	KBE-298-9351S	Spindle
34	KBE-298-5856D	Spring Pin (1.5x12L)
35	KBE-298-5823H	Fixed Shaft
36	KBE-298-5545Y	Washer
37	KBE-298-9337S	Oil Cap
38	KBE-298-5511M	Steel Ball
39	KBE-298-5508J	O-Ring (22.8x2)
40	KBE-298-5509K	Deflector
41	KBE-298-5152E	Safety Bar
42	KBE-298-5151D	Spring
43	KBE-298-9343S	Spring Pin (2x15L)
44	KBE-298-5823M	Damping Material
45	KBE-298-5822S	Grip
46	KBE-298-9352S	Crescent Rings (5103-31)
47	KBE-298-5826K	Shim (2of)