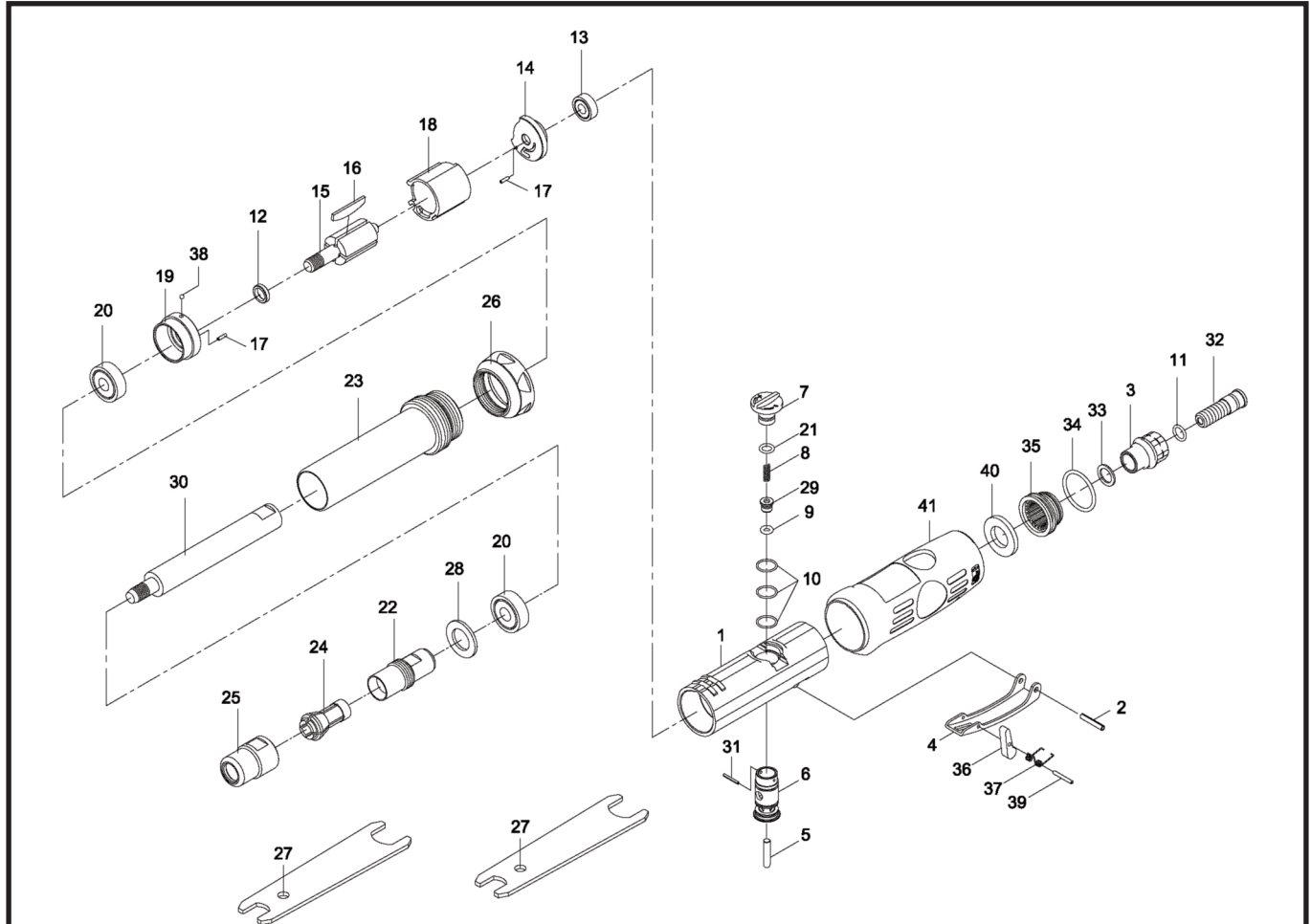




**EXTENDED STRAIGHT DIE GRINDER**  
**6mm (1/4") - 25,000rpm**

**Spare Parts Breakdown**



INDEX NO.	ORDER CODE	DESCRIPTION
01	KBE-298-5822C	Motor Housing
02	KBE-298-9302S	Lever Pin (3x18L)
03	KBE-298-5602C	Air Inlet
04	KBE-298-9304S	Throttle Lever
05	KBE-298-9305S	Valve Shaft
06	KBE-298-5822G	Valve
07	KBE-298-5822M	Knob
08	KBE-298-9308S	Spring
09	KBE-298-5206G	O-Ring (3.8x1.9)
10	KBE-298-9336S	O-Ring (3of) (10.5x1.0)
11	KBE-298-9307S	O-Ring (7.5x1.5)
12	KBE-298-9312S	Rotor Spacer
13	KBE-298-5510L	Ball Bearing (2of) (696ZZ)
14	KBE-298-9314S	Rear End Plate
15	KBE-298-9315S	Rotor
16	KBE-298-9316S	Vane (4of)
17	KBE-298-5616S	Spring Pin (2of) (1.5x6)
18	KBE-298-9318S	Cylinder
19	KBE-298-9319S	Front End Plate
20	KBE-298-9320S	Ball Bearing (2of) (608ZZ)
21	KBE-298-5735M	O-Ring (6x1.5)

INDEX NO.	ORDER CODE	DESCRIPTION
22	KBE-298-9353S	Spindle
23	KBE-298-5825E	Ext. Housing
24	KBE-298-9324S	Collet
25	KBE-298-9325S	Collet Nut
26	KBE-298-5825M	Front Cap
27	KBE-298-9327S	Spanner (2of)
28	KBE-298-9355S	Washer
29	KBE-298-9340S	Throttle Valve
30	KBE-298-9356S	Tension Shaft
31	KBE-298-5856D	Spring Pin (1.5x12L)
32	KBE-298-5823H	Fixed Shaft
33	KBE-298-5545Y	Washer
34	KBE-298-5508J	O-Ring (22.8x2)
35	KBE-298-5509K	Deflector
36	KBE-298-9339S	Safety Bar
37	KBE-298-9344S	Spring
38	KBE-298-9338S	Steel Ball
39	KBE-298-9343S	Spring Pin (2x15L)
40	KBE-298-5823M	Damping Material
41	KBE-298-5822S	Grip