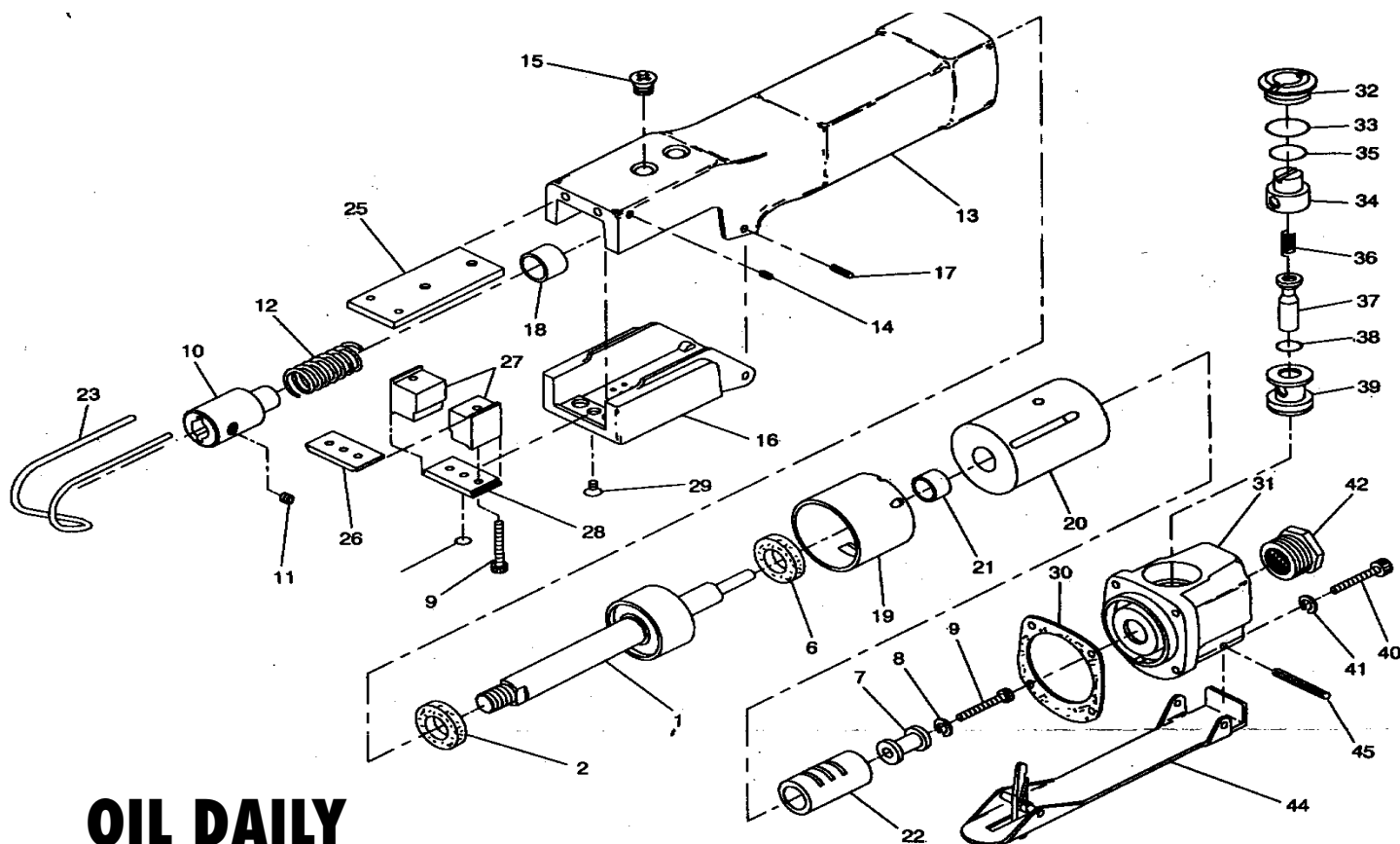


Order Code: KBE-270-3500K

## Spare Parts Breakdown



## OIL DAILY

No.	Order Code	Description
1	KBE-298-0413S	Piston Assembly
2	KBE-298-0416S	Damping Ring
6	KBE-298-0419S	Rubber Washer
7	KBE-298-0422S	Piston Valve
8	KBE-298-0425S	Washer
9a	KBE-298-0428S	Screw (2)
9b	KBE-298-0429S	Screw (2)
10	KBE-298-0431S	Saw Holder
11	KBE-298-0434S	Screw (2)
12	KBE-298-0437S	Spring
13	KBE-298-0440S	Handle Housing
14	KBE-298-0443S	Screw (2)
15	KBE-298-0446S	Screw (2)
16	KBE-298-0449S	Cover
17	KBE-298-0452S	Spring Pin (2)
18	KBE-298-0455S	Bushing
19	KBE-298-0458S	Cylinder
20	KBE-298-0461S	Valve Box
21	KBE-298-0464S	Bushing
22	KBE-298-0467S	Valve Liner
23	KBE-298-0470S	Guide Frame

No.	Order Code	Description
25	KBE-298-0473S	Bottom Board
26	KBE-298-0476S	Guide Plate
27	KBE-298-0479S	Guide Block (2)
28	KBE-298-0482S	Guide Plate
29	KBE-298-0485S	Screw
30	KBE-298-0488S	Gasket
31	KBE-298-0491S	Valve Body
32	KBE-298-0494S	Valve Body Plug
33	KBE-298-0497S	O-Ring
34	KBE-298-0500S	Adjusting Valve
35	KBE-298-0503S	O-Ring
36	KBE-298-0506S	Spring
37	KBE-298-0509S	Valve Rod (4)
38	KBE-298-0512S	O-Ring
39	KBE-298-0515S	Valve Rod Sleeve
40	KBE-298-0518S	Screw (4)
41	KBE-298-0521S	Spring Washer (4)
42	KBE-298-0524S	Air Inlet
44	KBE-298-0527S	Trigger Assembly
45	KBE-298-0530S	Spring Pin

Distributed by:

**KENNEDY TOOLS**

Wigston Works, Leicester, England.

ISO 9002 REGISTERED COMPANY

©The Kennedy Group Ltd. March 1997