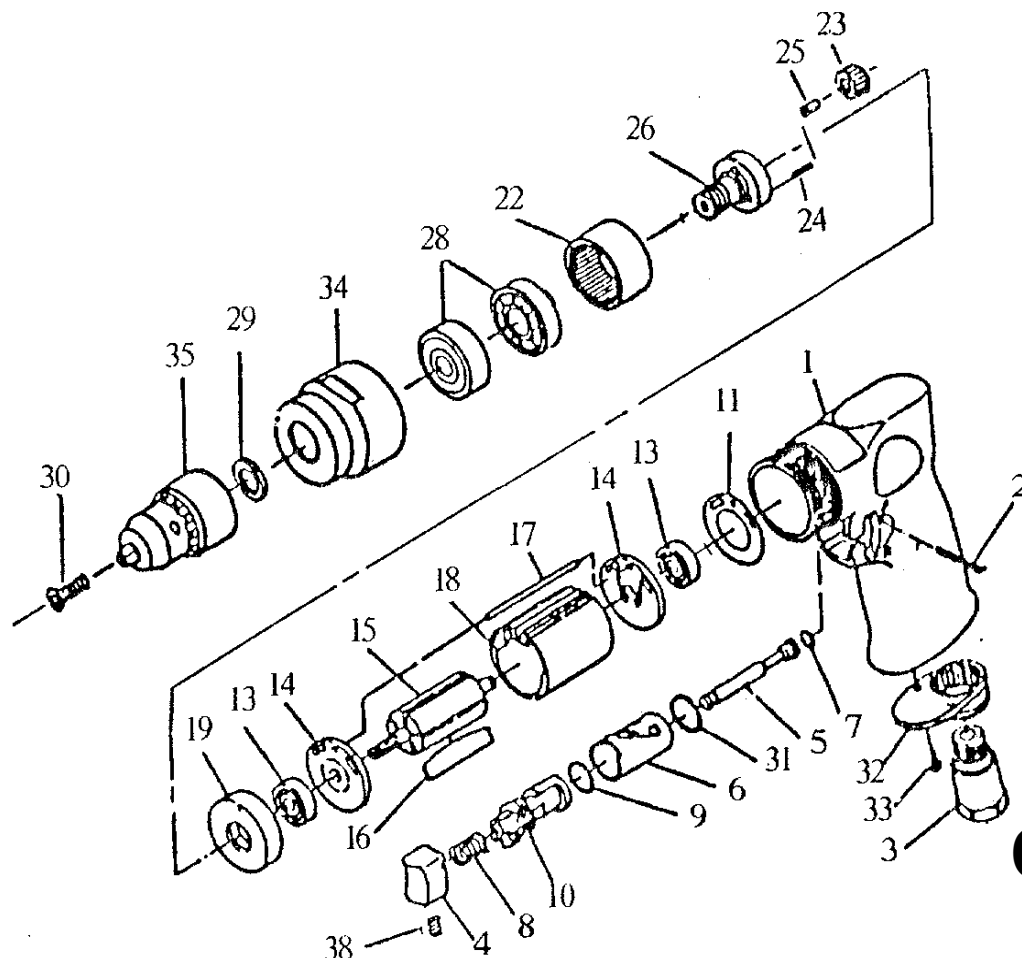


DPR1810 10MM REVERSIBLE PISTOL DRILL

Order Code: KBE-270-1400L
Spare Parts Breakdown



OIL DAILY

No.	Order Code	Description
1	KBE-298-2042S	Motor Housing
2	KBE-298-2045S	Pin
3	KBE-298-1922S	Air Intake Bushing
4	KBE-298-1925S	Trigger
5	KBE-298-2186S	Valve Stem
6	KBE-298-2189S	Valve Bushing
7	KBE-298-1934S	O-Ring
8	KBE-298-1937S	Spring
9	KBE-298-2048S	O-Ring
10	KBE-298-2051S	Reverse Lever
11	KBE-298-2054S	Motor Gasket
13	CES-298-0627B	Ball Bearing (2)
14	KBE-298-2057S	End Plate (2)
15	KBE-298-2060S	Rotor
16	KBE-298-0572S	Rotor Blades (5)
17	KBE-298-2063S	Pin

No.	Order Code	Description
18	KBE-298-2066S	Cylinder
19	KBE-298-2069S	Spacer
22	KBE-298-2078S	Internal Gear
23	KBE-298-2114S	Planet Gear (3)
24	KBE-298-2084S	Pin (3)
25	KBE-298-2117S	Bushing (3)
26	KBE-298-2120S	Work Spindle
28	CES-298-6203D	Ball Bearing (2)
29	KBE-298-1994S	Chuck Spacer
30	KBE-298-2123S	Chuck Screw
31	KBE-298-2099S	O-Ring
32	KBE-298-1943S	Exhaust Deffuser
33	KBE-298-2126S	Screw
34	KBE-298-2129S	Clamp Nut
35	KBE-280-0119A	10 mm Drill Chuck
38	KBE-298-1970S	Set Screw (2)
	KBE-280-0122A	Chuck Key (Not Shown)

Distributed by:
KENNEDY TOOLS
Wigston Works, Leicester, England.
ISO 9002 REGISTERED COMPANY

©The Kennedy Group Ltd. March 1997