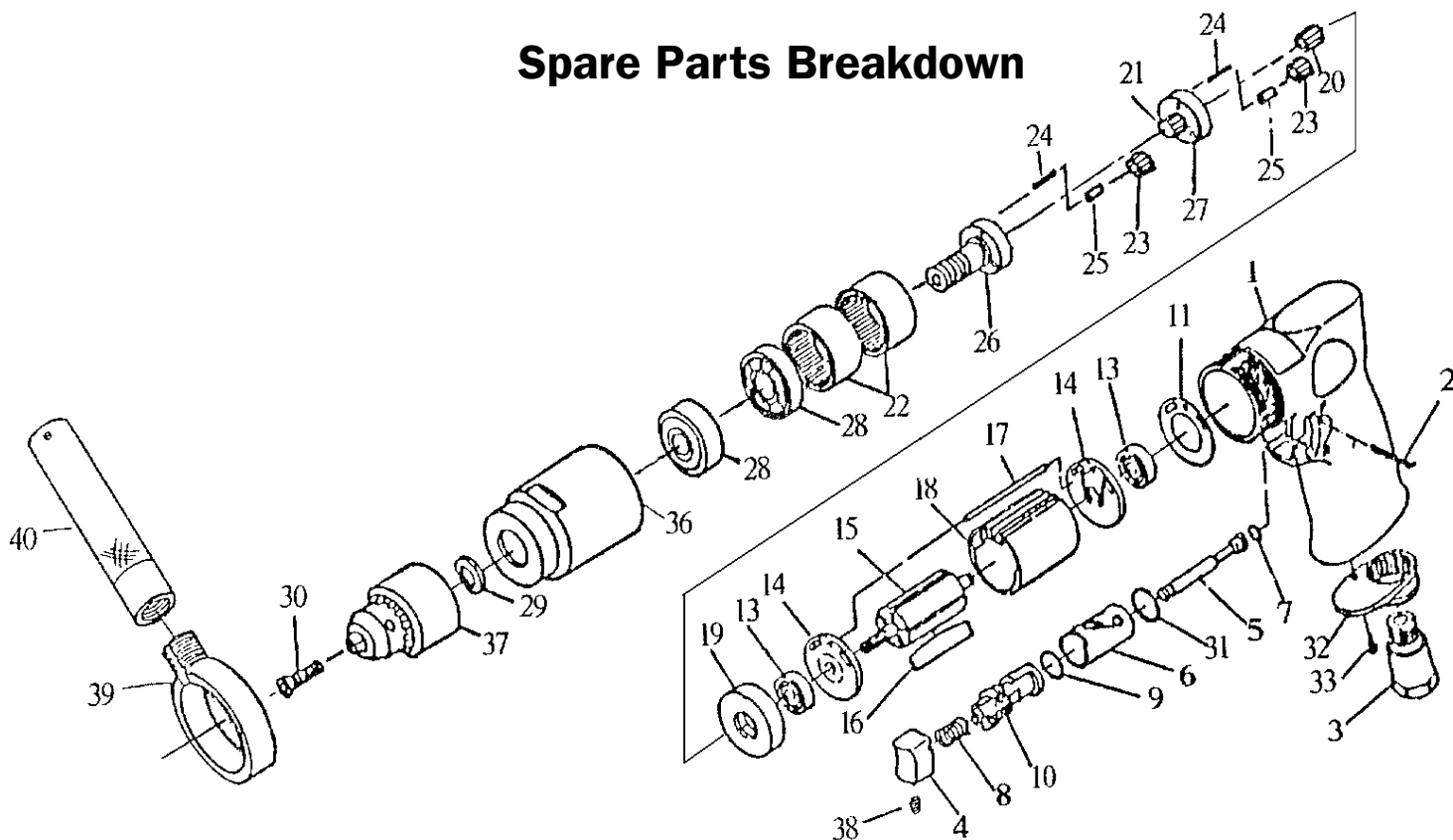


DPR813 13MM REVERSIBLE HEAVY DUTY PISTOL DRILL

Order Code: KBE-270-1525F

Spare Parts Breakdown



OIL DAILY

No.	Order Code	Description
1	KBE-298-2042S	Motor Housing
2	KBE-298-2045S	Pin
3	KBE-298-1922S	Air Inlet
4	KBE-298-1925S	Trigger
5	KBE-298-2186S	Valve Stem
6	KBE-298-2189S	Reverse Bushing
7	KBE-298-1934S	O-Ring
8	KBE-298-1937S	Valve Spring
9	KBE-298-2048S	O-Ring
10	KBE-298-2051S	Reverse Lever
11	KBE-298-2054S	Motor Gasket
13	CES-298-0627B	Ball Bearing (2)
14	KBE-298-2057S	End Plate (2)
15	KBE-298-2060S	Rotor
16	KBE-298-0572S	Vanes (5)
17	KBE-298-2063S	Pin
18	KBE-298-2066S	Cylinder
19	KBE-298-2069S	Spacer
20	KBE-298-2072S	Pinion Gear

No.	Order Code	Description
21	KBE-298-2075S	Center Gear
22	KBE-298-2078S	Internal Gear (2)
23	KBE-298-2081S	Planet Gear (6)
24	KBE-298-2084S	Pin (6)
25	KBE-298-2087S	Bushing (6)
26	KBE-298-2090S	Work Spindle
27	KBE-298-2093S	Reduction Spindle
28	CES-298-6203D	Ball Bearing (2)
29	KBE-298-1994S	Chuck Spacer
30	KBE-298-2096S	Chuck Screw
31	KBE-298-2099S	O-Ring
32	KBE-298-1943S	Exhaust Diffuser
33	KBE-298-1970S	Screw (2)
36	KBE-298-2102S	Clamp Nut
37	KBE-280-0125A	13mm Chuck
38	KBE-298-2105S	Set Screw
39	KBE-298-2108S	Retainer
40	KBE-298-2111S	Handle
	KBE-280-0128A	Chuck Key (Not Shown)

Distributed by:

KENNEDY TOOLS

Wigston Works, Leicester, England.

ISO 9002 REGISTERED COMPANY

©The Kennedy Group Ltd. March 1997