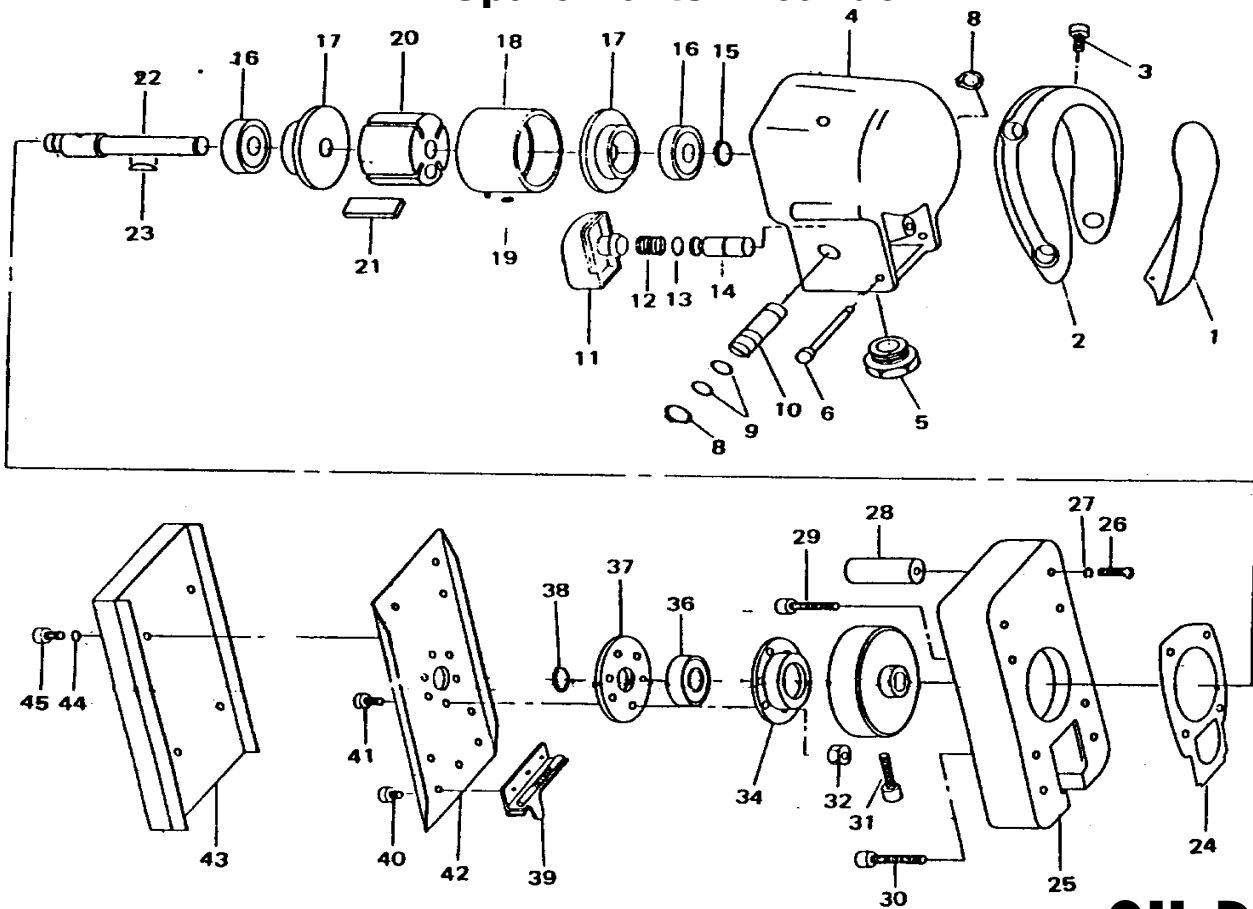


Order Code: KBE-270-2900K

Spare Parts Breakdown



OIL DAILY

No.	Order Code	Description
1	KBE-298-1490S	Lever
2	KBE-298-1493S	Grip W/Metal Strip
3	KBE-298-1496S	Grip Screw (4)
4	KBE-298-1499S	Body
5	KBE-298-1502S	Inlet Screw
6	KBE-298-1505S	Lever Pin
8	KBE-298-1508S	Retaining Ring (2)
9	KBE-298-1511S	O-Ring (2)
10	KBE-298-1514S	Speed Regulator
11	KBE-298-1517S	Muffler
12	KBE-298-1520S	Spring
13	KBE-298-1523S	O-Ring
14	KBE-298-1526S	Plunger
15	KBE-298-1529S	Retaining Ring
16	CES-298-6201B	Bearing (2)
17	KBE-298-1532S	End Plate (2)
18	KBE-298-1535S	Cylinder W/Locking Pin
19	KBE-298-1538S	O-Ring
20	KBE-298-1541S	Rotor
21	KBE-298-1544S	Rotor Blades (4)
22	KBE-298-1547S	Rotor Shaft
23	KBE-298-1550S	Key

No.	Order Code	Description
24	KBE-298-1553S	Gasket
25	KBE-298-1556S	Base
26	KBE-298-1559S	Mount Screw (8)
27	KBE-298-1562S	Spring Washer (8)
28	KBE-298-1565S	Rubber Post (4)
29	KBE-298-1568S	Cap Screw (2)
30	KBE-298-1571S	Cap Screw (2)
31	KBE-298-1574S	Balance Lock Screw
32	KBE-298-1577S	Nut
33	KBE-298-1580S	Crank Shaft
34	KBE-298-1583S	Bearing Housing
36	CES-298-6201B	Ball Bearing
37	KBE-298-1586S	Bearing Plate
38	KBE-298-1589S	Retaining Ring
39	KBE-298-1592S	Paper Clamp (2)
40	KBE-298-1595S	Clamp Screw W/Nuts (6)
41	KBE-298-1598S	Bearing Hang Screw
42	KBE-298-1601S	Shoe Plate
43	KBE-298-1604S	Sanding Pad
44	KBE-298-1607S	Lock Washer (4)
45	KBE-298-1610S	Mount Screw (4)

Distributed by:

KENNEDY TOOLS

Wigston Works, Leicester, England.

ISO 9002 REGISTERED COMPANY

©The Kennedy Group Ltd. March 1997