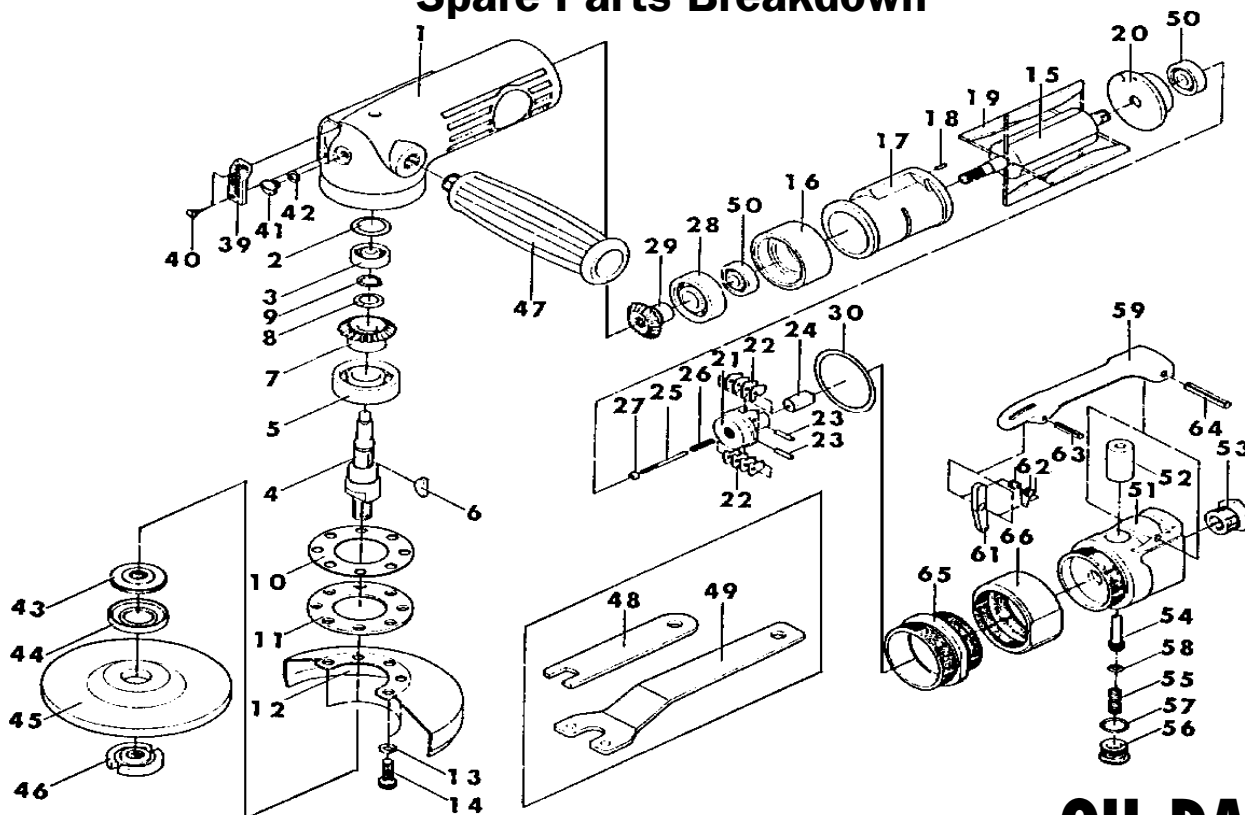


GA1011L 6MM 100MM ANGLE GRINDER

Order Code: KBE-270-2050P
Spare Parts Breakdown



OIL DAILY

No.	Order Code	Description	No.	Order Code	Description	No.	Order Code	Description
1	KBE-298-2867S	Motor Housing	23	KBE-298-2930S	Spring Pin	53	KBE-298-2990S	Air Inlet Bush
2	KBE-298-2870S	Seal Plate	24	KBE-298-2933S	Plunger	54	KBE-298-2993S	Valve Stem
3	CES-298-0627B	Ball Bearing	25	KBE-298-2936S	Adjuster Screw	55	KBE-298-2996S	Valve Spring
4	KBE-298-2873S	Arbor	26	KBE-298-2939S	Spring	56	KBE-298-2999S	Throttle Lever Plug
5	CES-298-6205F	Ball Bearing	27	KBE-298-2942S	Adjuster Nut	57	KBE-298-3002S	O-Ring
6	KBE-298-2879S	Woodruff Key	28	CES-298-6203D	Ball Bearing	58	KBE-298-3005S	O-Ring
7	KBE-298-2882S	Bevel Gear	29	KBE-298-2945S	Bevel Pinion	59	KBE-298-3008S	Safety Throttle Lever
8	KBE-298-2885S	Wave Washer	30	KBE-298-2948S	O-Ring	61	KBE-298-3011S	Throttle Lever Lock
9	KBE-298-2888S	Stop Ring	39	KBE-298-2951S	Exhaust Deflector	62	KBE-298-3014S	Torsion Spring
10	KBE-298-2891S	Gasket	40	KBE-298-2954S	Tapping Screw	63	KBE-298-3017S	Spring Pin
11	KBE-298-2894S	Retainer	41	KBE-298-2957S	Plug	64	KBE-298-3020S	Spring Pin
12	KBE-298-2897S	Wheel Guard	42	KBE-298-2960S	O-Ring	65	KBE-298-3023S	Lock Ring
13	KBE-298-2900S	Spring Washer	43	KBE-298-2963S	Flange	66	KBE-298-3026S	Coupling Nut
14	KBE-298-2903S	Cap Bolt	44	KBE-298-2966S	Flange Rubber Shield			
15	KBE-298-2906S	Rotor	45	Grinding Disc	See operators manual			
16	KBE-298-2909S	Front End Plate	46	KBE-298-2972S	Flange Nut			
17	KBE-298-2912S	Cylinder	47	KBE-298-2975S	Handle			
18	KBE-298-2915S	Spring Pin	48	KBE-298-2978S	Wrench (A) Pin Type			
19	KBE-298-2918S	Rotor Blade (4)	49	KBE-298-2981S	Wrench (B) Spindle			
20	KBE-298-2921S	Rear End Plate	50	CES-298-0609B	Ball Bearing			
21	KBE-298-2924S	Governor	51	KBE-298-2984S	Throttle Valve Housing			
22	KBE-298-2927S	Pendulum	52	KBE-298-2987S	Bushing			

Optional Service Kits

- KBE-298-3029S Service Kit (51,52,53)
- KBE-298-3032S Service Kit (59,61,62,63)
- KBE-298-3035S Service Kit (21 to 27inc)
- KBE-298-3038S Bevel Gear Set (7,9)
- KBE-298-3041S O-Ring Set 2 (57,58)

Distributed by:
KENNEDY TOOLS
Wigston Works, Leicester, England.
ISO 9002 REGISTERED COMPANY
©The Kennedy Group Ltd. March 1997