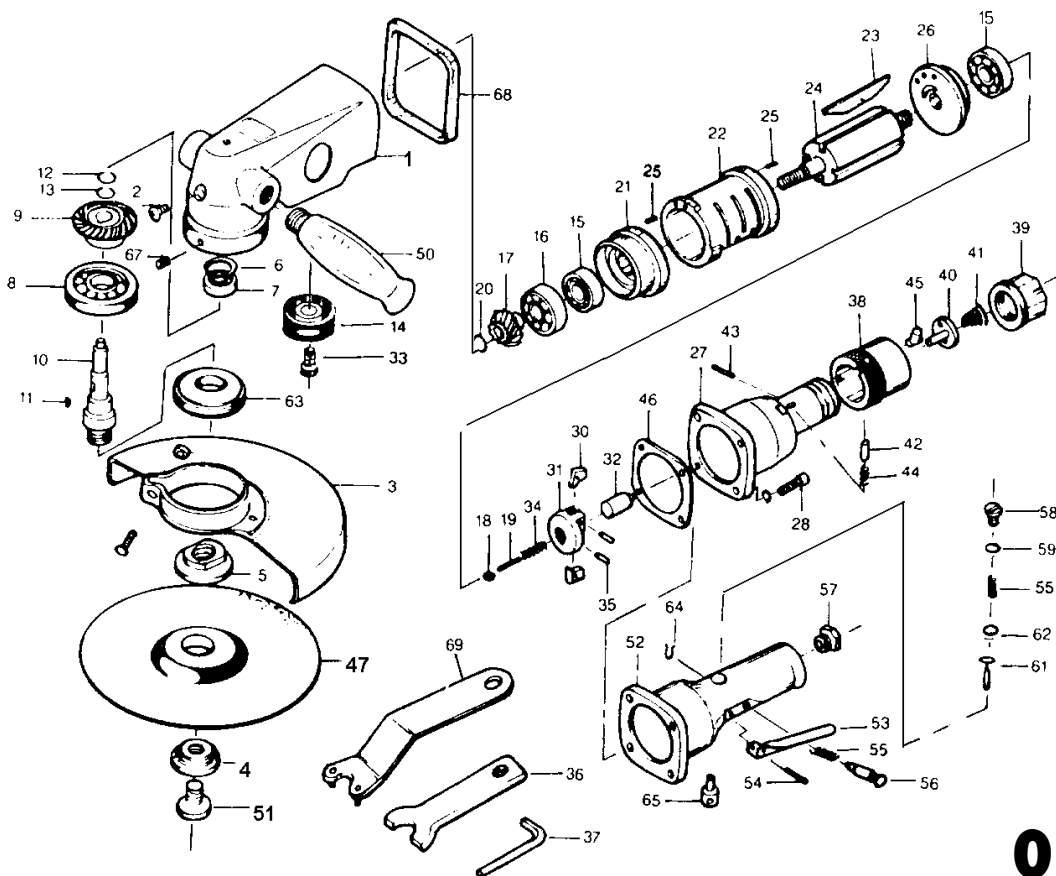


GA1807L 180MM HEAVY DUTY ANGLE GRINDER

Order Code: KBE-270-2070R

Spare Parts Breakdown



OIL DAILY

No.	Part no	Description	No.	Part no	Description	No.	Part no	Description
1	KBE-298-2573S	Body	20	KBE-298-2618S	Retaining Ring	50	KBE-298-2669S	Dead Handle
2	KBE-298-2576S	Screw	21	KBE-298-2621S	Front Plate	51	KBE-298-2672S	Disc Stop Screw
3	KBE-298-2579S	Disc Cover	22	KBE-298-2624S	Cylinder	52	KBE-298-2675S	Governor Case
4	KBE-298-2582S	Disc Nut	23	KBE-298-2627S	Rotor Blade	53	KBE-298-2399S	Lever
5	KBE-298-2585S	Disc Receiver	24	KBE-298-2630S	Rotor	54	KBE-298-2678S	Spring Pin
6	KBE-298-2588S	Spacter	25	KBE-298-2633S	Spring Pin	55	KBE-298-2681S	Valve Spring
7	CES-298-0631F	Ball Bearing	26	KBE-298-2636S	Rear Plate	56	KBE-298-2684S	Safe Lever
8	CES-298-6303D	Ball Bearing	27	See No. 52	Governor Case	57	KBE-298-2687S	Hose Adapter
9	KBE-298-2591S	Bevel Gear	28	KBE-298-2639S	Cap Screw	58	KBE-298-2690S	Valve Screw
10	KBE-298-2594S	Gear Shaft	30	KBE-298-2642S	Pendulum	59	KBE-298-2693S	O-Ring
11	KBE-298-2597S	Key	31	KBE-298-2645S	Governor Assembly	61	KBE-298-2696S	Valve Pin
12	KBE-298-2600S	Retainint Ring	32	KBE-298-2648S	Plunger	62	KBE-298-2699S	O-Ring
13	KBE-298-2603S	Spring Washer	33	KBE-298-2651S	Screw	63	KBE-298-2702S	Nut
14	KBE-298-2606S	Exhaust Muffler	34	KBE-298-2654S	Spring	64	KBE-298-2705S	Retaining Ring
15	CES-298-6203D	Ball Bearing	35	KBE-298-2657S	Spring Pin	65	KBE-298-2708S	Valve Bushing
16	CES-298-6205F	Ball Bearing	36	KBE-298-2660S	Stop Spanner	67	KBE-298-2711S	Set
17	KBE-298-2609S	Bevel Pinion	37	KBE-298-2663S	Hex Key	68	KBE-298-2714S	Rubber
18	KBE-298-2612S	Adjust Nut	46	KBE-298-2666S	Gasket	69	KBE-298-2717S	Disc Spanner
19	KBE-298-2615S	Adjust Screw	47	Grinding Disc	See Operators Manual			

Distributed by:

KENNEDY TOOLS

Wigston Works, Leicester, England.

ISO 9002 REGISTERED COMPANY

©The Kennedy Group Ltd. March 1997