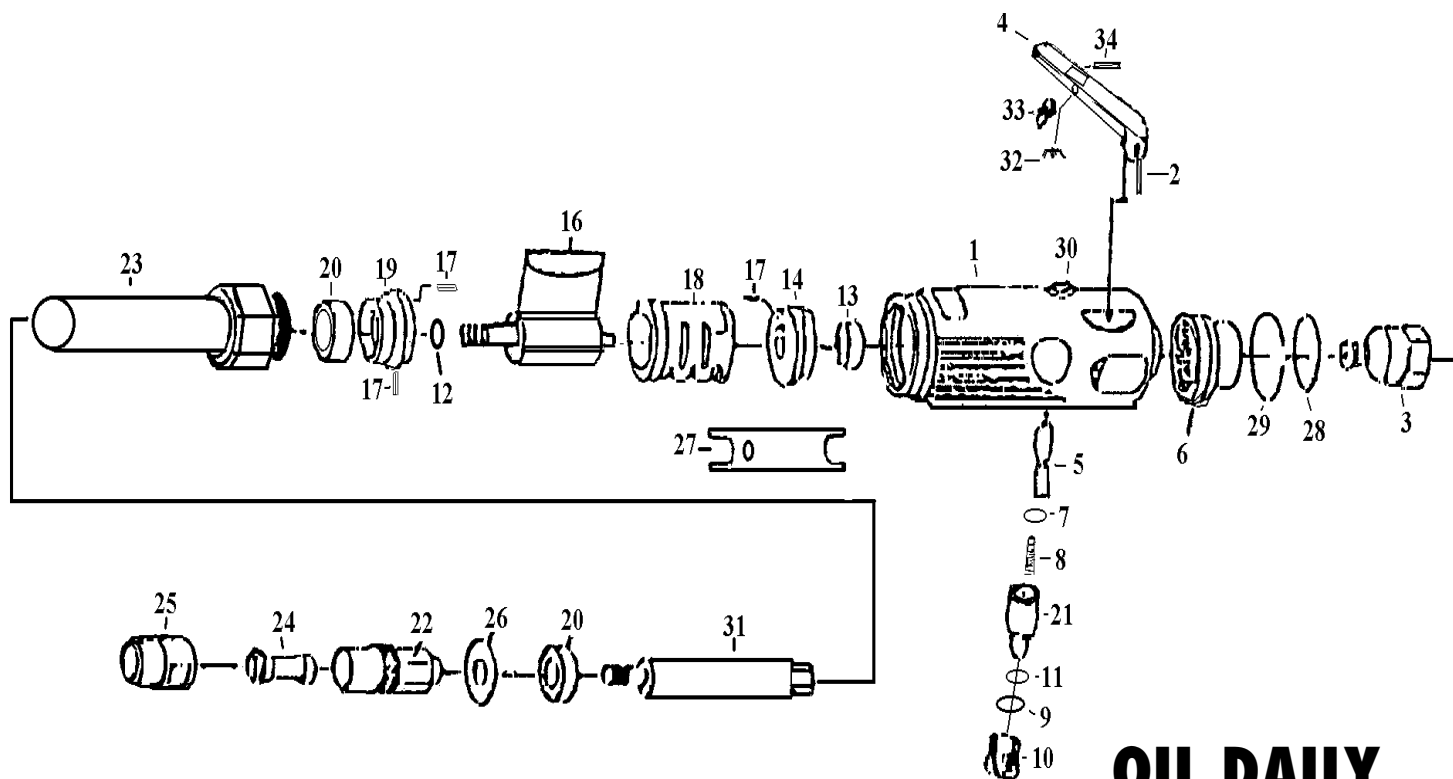


# GES2506L 6MM EXTENDED SPINDLE DIE GRINDER

Order Code: KBE-270-2040N  
Spare Parts Breakdown



**OIL DAILY**

No.	Order Code	Description
1	KBE-298-1876S	Motor Housing
2	KBE-298-1999S	Lever Pin
3	KBE-298-1882S	Air Inlet
4	KBE-298-1789S	Safety Throttle Lever
5	KBE-298-2005S	Valve Stem
6	KBE-298-1891S	Exhaust Sleeve
7	KBE-298-2008S	O-Ring
8	KBE-298-2011S	Valve Spring
9	KBE-298-2014S	O-Ring
10	KBE-298-2017S	Valve Screw
11	KBE-298-2020S	O-Ring
12	KBE-298-2023S	Spacer
13	CES-298-0625N	Bearing
14	KBE-298-3049S	Rear End Plate
15	KBE-298-1918S	Rotor
16	KBE-298-1921S	Rotor Blades (4)
17	KBE-298-2038S	Pin
18	KBE-298-1924S	Cylinder
19	KBE-298-3052S	Front End Plate
20	CES-298-0609B	Bearing

No.	Order Code	Description
21	KBE-298-2050S	Air Regulator
22	KBE-298-2053S	Spindle Chuck
23	KBE-298-3055S	Extension Housing
24	KBE-280-0070A	Collet 6mm
25	KBE-280-0067A	Collet Nut
26	KBE-298-3058S	Bakelite Washer
27	KBE-280-0085A	Spanner
28	KBE-298-1978S	O-Ring
29	KBE-298-1960S	Retaining Ring
30	KBE-298-2071S	Bushing
31	KBE-298-3046S	Extension Shaft
32	KBE-298-1867S	Spring
33	KBE-298-1870S	Safety Bar
34	KBE-298-1873S	Spring Pin
<b>Optional Accessories Available</b>		
	KBE-280-0073A	Collet 3mm
	KBE-280-0076A	Collet 1/4"
	KBE-280-0079A	Collet 1/8"

Distributed by:  
**KENNEDY TOOLS**  
Wigston Works, Leicester, England.  
ISO 9002 REGISTERED COMPANY  
©The Kennedy Group Ltd. March 1997