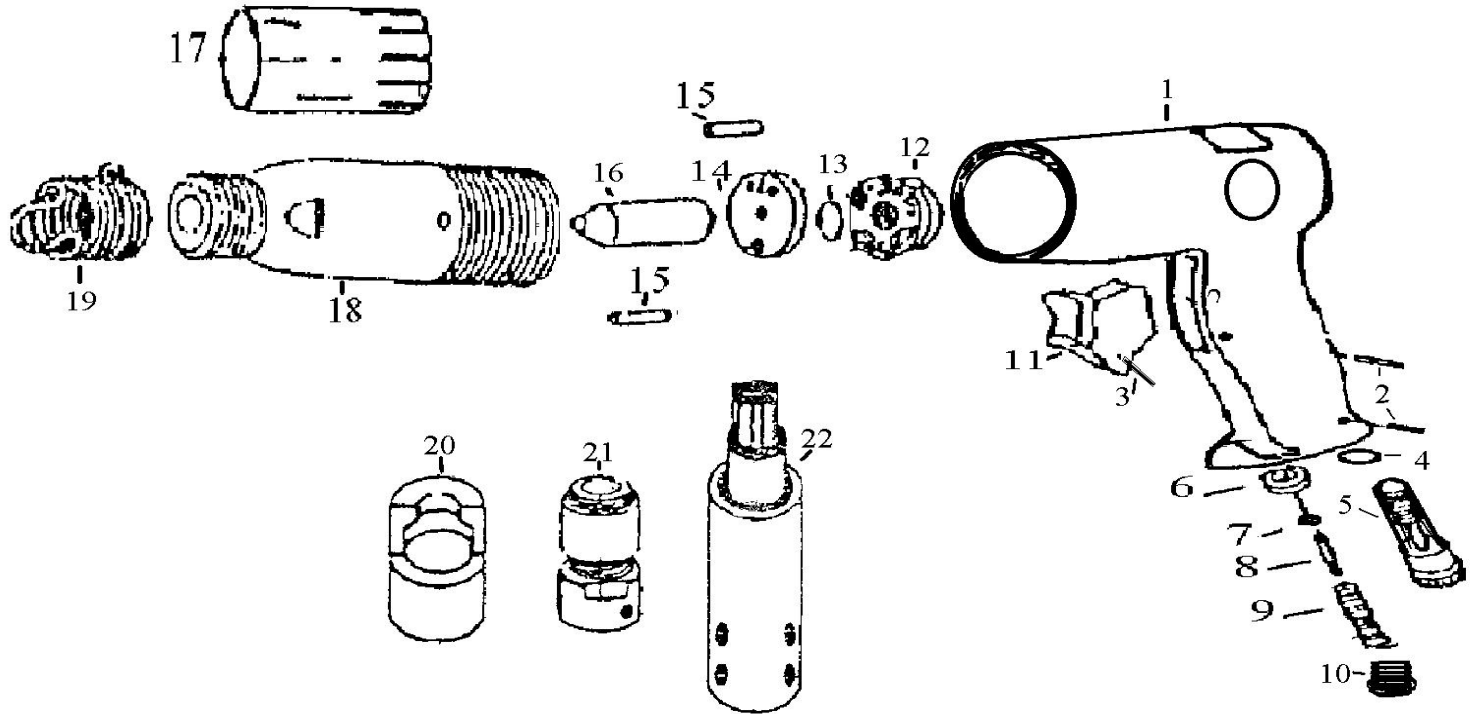


Order Code: KBE-270-3100K

Spare Parts Breakdown



OIL DAILY

No.	Order Code	Description
1	KBE-298-0271S	Housing
2	KBE-298-0226S	Regulator Pin
3	KBE-298-0223S	Trigger Pin (2)
4	KBE-298-0265S	O-Ring
5	KBE-298-0268S	Regulator
6	KBE-298-0244S	Steel Ball Seat
7	KBE-298-0238S	O-Ring
8	KBE-298-0235S	Valve Stem
9	KBE-298-0232S	Throttle Spring
10	KBE-298-0229S	Hose Adapter
11	KBE-298-0241S	Trigger
12	KBE-298-0247S	Upper Valve Case
13	KBE-298-0250S	Valve Disc
14	KBE-298-0253S	Lower Valve Case
15	KBE-298-0256S	Valve Pin
16	KBE-298-0274S	Piston

No.	Order Code	Description
18	KBE-298-0277S	Cylinder
19	KBE-280-0001A	Quick Change Retainer
Optional Accessories Available		
20	KBE-280-0010A	Safety Retainer
21	KBE-280-0013A	Quick Change Retainer
22	KBE-280-0116A	Needle Scaler Attachment
	KEN-289-1070K	Flat Chisel .401 Shank
	KEN-289-2300K	Smoothing Hammer .401 Shank
	KEN-289-2350K	Rivet Cutter .401 Shank
	KEN-289-2400K	Panel Cutter .401 Shank
	KEN-289-2450K	Taper Punch .401 Shank
	KEN-289-2500K	Straight Punch .401 Shank
	KEN-289-2550K	Bushing Splitter .401 Shank
	KEN-289-2600K	Spot Weld Breaker .401 Shank

Distributed by:
KENNEDY TOOLS
 Wigston Works, Leicester, England.
 ISO 9002 REGISTERED COMPANY
 ©The Kennedy Group Ltd. March 1997