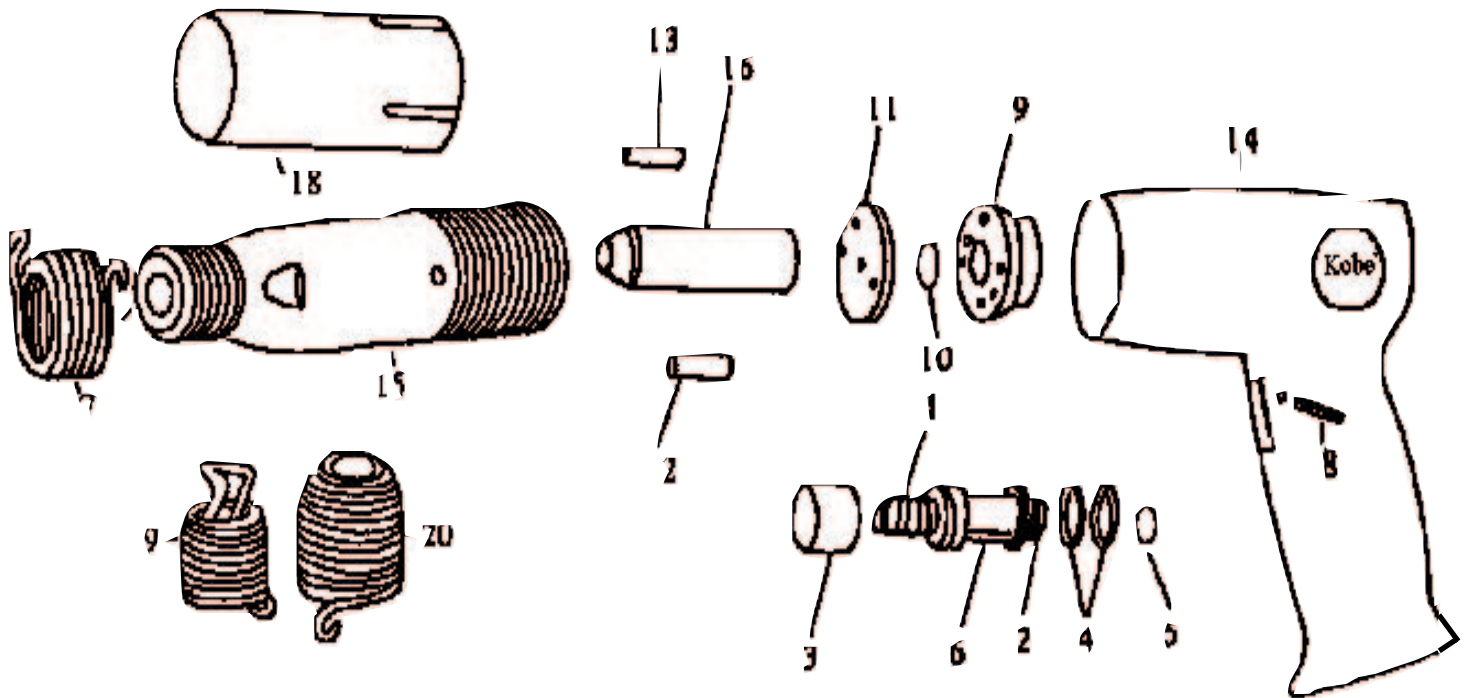


HP2190 HEAVY DUTY PISTOL GRIP HAMMER

Order Code: KBE-270-3050K

Spare Parts Breakdown



OIL DAILY

No.	Order Code	Description
1	KBE-298-0130S	Valve Spring
2	KBE-298-0133S	Throttle Valve Assembly
3	KBE-298-0136S	Throttle Button
4	KBE-298-0139S	O-Ring (2)
5	KBE-298-0142S	O-Ring
6	KBE-298-0145S	Bushing Valve
7	KBE-298-0148S	Stem Throttle Valve
8	KBE-298-0151S	Pin Grooved
9	KBE-298-0154S	Valve Case Lid
10	KBE-298-0157S	Valve Disk
11	KBE-298-0160S	Valve Case
12	KBE-298-0163S	Large Valve Case Dowel
13	KBE-298-0166S	Small Valve Case Dowel
14	KBE-298-0169S	Housing

No.	Order Code	Description
15	KBE-298-0172S	Cylinder 171mm
16	KBE-298-0178S	Piston
17	KBE-280-0001A	Retainer Quick Change
18	KBE-298-0181S	Deflector
Optional Accessories Available		
19	KBE-280-0004A	Retainer Bee Hive Type
20	KBE-280-0007A	Retainer Zip Change
	KEN-289-1070K	Flat Chisel .401 Shank
	KEN-289-2450K	Taper Punch .401 Shank
	KEN-289-2350K	Rivet Cutter .401 Shank
	KEN-289-2600K	Spot Weld Breaker .401 Shank
	KEN-289-2400K	Panel Cutter .401 Shank

Distributed by:
KENNEDY TOOLS
Wigston Works, Leicester, England.
ISO 9002 REGISTERED COMPANY
©The Kennedy Group Ltd. March 1997