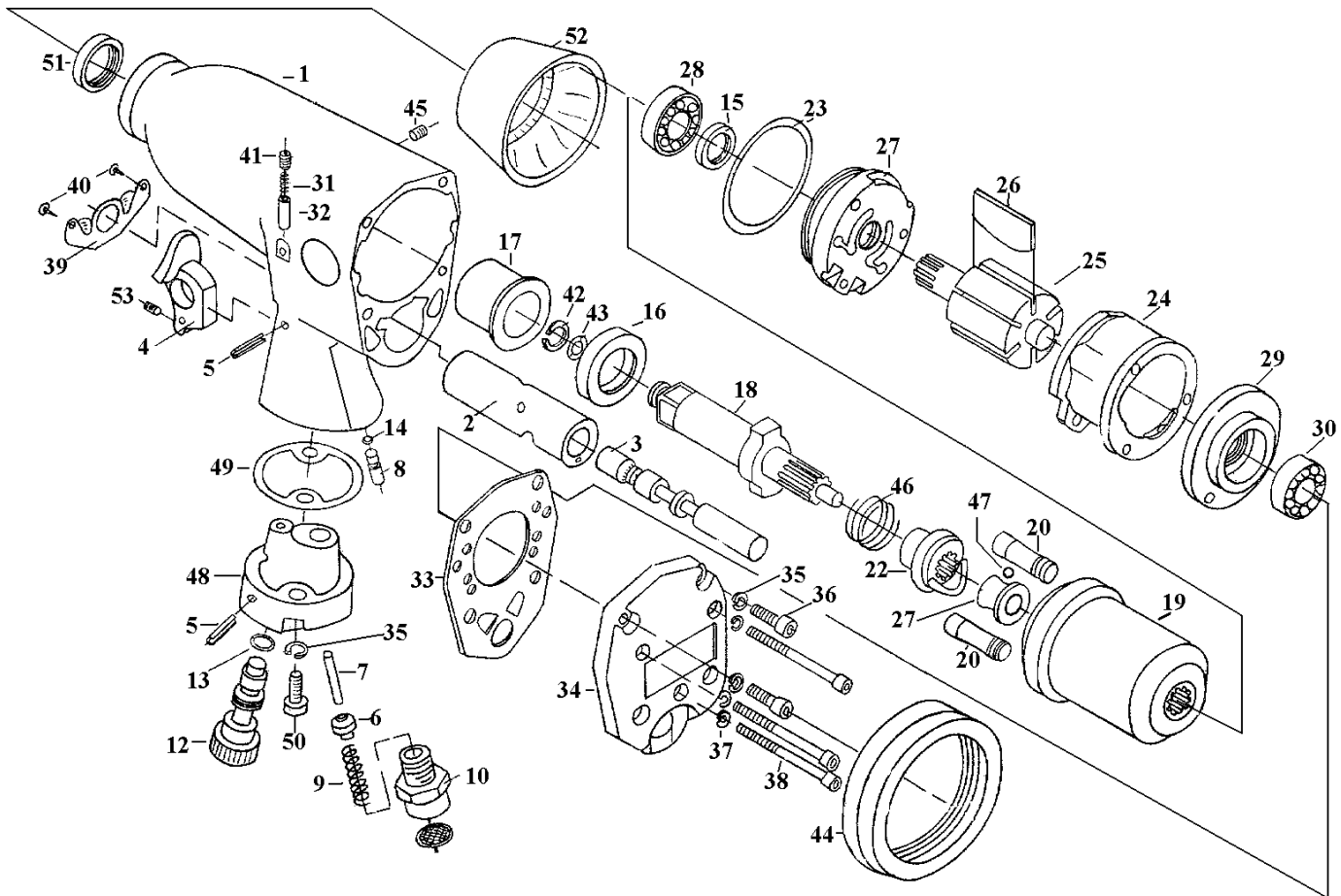


Order Code: KBE-270-2316P  
**Spare Parts Breakdown**



## OIL DAILY

No.	Order Code	Description	No.	Order Code	Description	No.	Order Code	Description
1	KBE-298-0169Y	Housing	20	KBE-298-0217Y	Hammer Bar	38	KBE-298-0265Y	Screw
2	KBE-298-0172Y	Valve Sleeve	21	KBE-298-0220Y	DriveCam Foundation	39	KBE-298-0268Y	Exhaust Deflector
3	KBE-298-0175Y	Reverse Valve	22	KBE-298-0223Y	Drive Cam	40	KBE-298-0028Y	Screw
4	KBE-298-0178Y	Trigger	23	KBE-298-0226Y	O-Ring	41	KBE-298-0031Y	Screw
5	KBE-298-0001Y	Throttle Spring Pin	24	KBE-298-0229Y	Cylinder	42	KBE-298-0034Y	Anvil Collar
6	KBE-298-0181Y	Valve Throttle	25	KBE-298-0232Y	Rotor	43	KBE-298-0037Y	O-Ring
7	KBE-298-0184Y	Pin Throttle	26	KBE-298-0235Y	Rotor Blade (6)	44	KBE-298-0040Y	Rubber
8	KBE-298-0187Y	Valve Stem	27	KBE-298-0238Y	Front End Plate	45	KBE-298-0043Y	Screw
9	KBE-298-0190Y	Spring	28	CES-298-6002M	Bearing	46	KBE-298-0271Y	Spring
10	KBE-298-0193Y	Hose Adaptor	29	KBE-298-0244Y	Rear End Plate	47	KBE-298-0274Y	Steel Ball
12	KBE-298-0196Y	Air Regulator	30	CES-298-6001B	Bearing	48	KBE-298-0277Y	Intake Foundation
13	KBE-298-0199Y	O-Ring	31	KBE-298-0016Y	Spring	49	KBE-298-0280Y	Rear Gasket
14	KBE-298-0202Y	O-Ring	32	KBE-298-0019Y	Pin	50	KBE-298-0283Y	Screw
15	KBE-298-0010Y	Seal	33	KBE-298-0250Y	Rear Gasket	51	KBE-298-0286Y	Oil Seal
16	KBE-298-0205Y	Spacer	34	KBE-298-0253Y	Rear Cover	52	KBE-298-0289Y	Protecting Rubber
17	KBE-298-0208Y	Anvil Bushing	35	KBE-298-0256Y	Washer	53	KBE-298-0292Y	Screw
18	KBE-298-0211Y	Anvil 1/2"	36	KBE-298-0259Y	Screw			
19	KBE-298-0214Y	Hammer Cage	37	KBE-298-0262Y	Washer			

Distributed by:

**KENNEDY TOOLS**

Wigston Works, Leicester, England.

ISO 9002 REGISTERED COMPANY

©The Kennedy Group Ltd. March 1997