

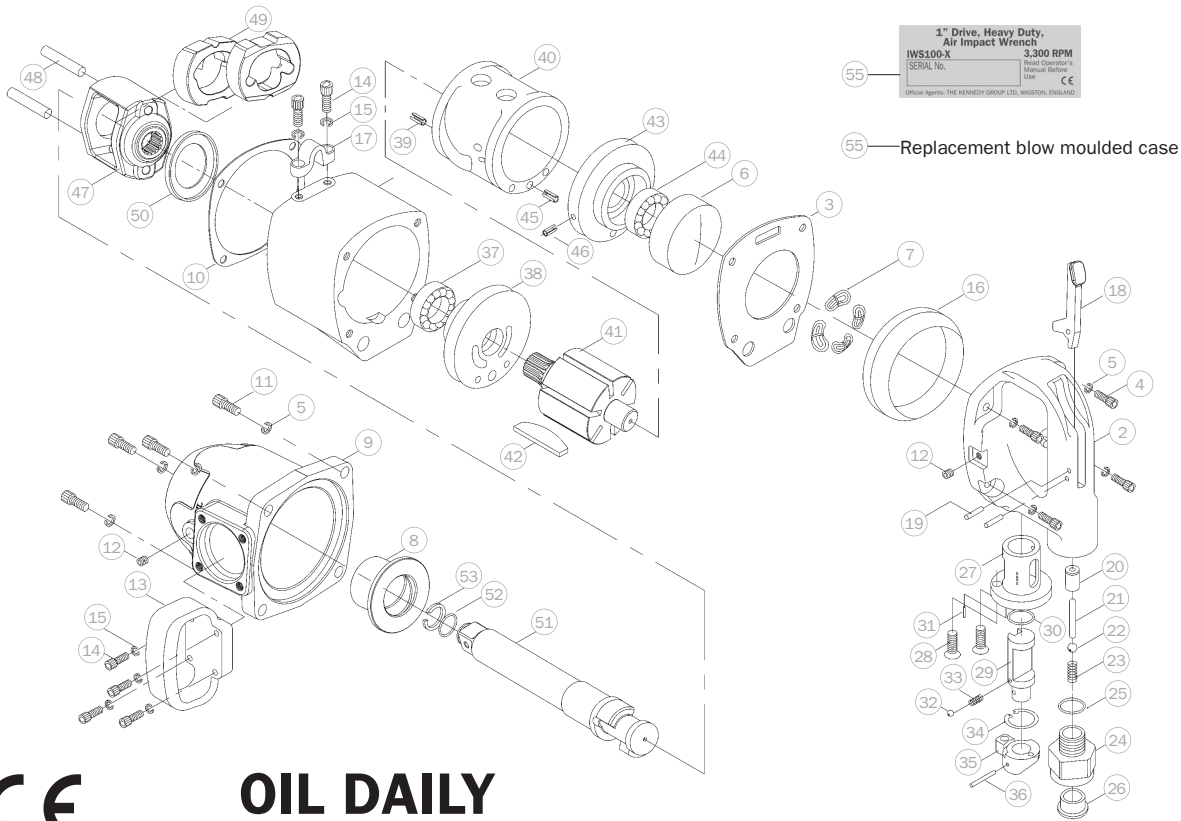


SPARE PARTS BREAKDOWN



1" DRIVE HEAVY DUTY AIR IMPACT WRENCH

MODEL IWS100X ORDER CODE KBE-270-1630B



CE OIL DAILY

No.	Order Code	Description	No.	Order Code	Description
1	.KBE-298-7000P	.Motor housing	30	.KBE-298-7028P	.O Ring (d15.8-Ø2.4(P16))
2	.KBE-298-7001P	.End cap	31	.KBE-298-7029P	.Pin (Ø2-L9.8)
3	.KBE-298-7002P	.End cap gasket	32	.KBE-298-7030P	.Steel ball (Ø1/8")
4	.KBE-298-7003P	.Skt. cap screw (M8 L25)	33	.KBE-298-7031P	.Spring (d2-D3-L10-0.5t)
5	.KBE-298-7004P	.Spring washer	34	.KBE-298-7032P	.Circlip (Ø23.5)
6	.KBE-298-7005P	.Blind cap	35	.KBE-298-7033P	.Direction/Power lever
7	.KBE-298-7124P	.Oil packing	36	.KBE-298-7034P	.Spring pin (Ø3 x L28)
8	.KBE-298-7006P	.Anvil bushing	37	.KBE-298-7035P	.Ball bearing (6205)
9	.KBE-298-7007P	.Clutch housing	38	.KBE-298-7036P	.Front end plate
10	.KBE-298-7008P	.Front gasket	39	.KBE-298-7037P	.Spring pin (Ø6 x L16)
11	.KBE-298-7009P	.Skt. cap screw (M8 L30)	40	.KBE-298-7038P	.Cylinder
12	.KBE-298-7010P	.Clamp screw (PT1/8" x L8)	41	.KBE-298-7039P	.Rotor
13	.KBE-298-7011P	.Side handle	42	.KBE-298-7040P	.Rotor blade
14	.KBE-298-7012P	.Skt. cap screw (M6 L16)	43	.KBE-298-7041P	.Rear end plate
15	.KBE-298-7013P	.Spring washer (1/4")	44	.KBE-298-7042P	.Ball bearing (6204)
16	.KBE-298-7014P	.Protecting rubber	45	.KBE-298-7043P	.Spring pin (Ø6-L18)
17	.KBE-298-7015P	.Hanger	46	.KBE-298-7044P	.Spring pin (Ø3-L6)
18	.KBE-298-7016P	.Trigger	47	.KBE-298-7045P	.Hammer cage
19	.KBE-298-7017P	.Trigger pin (Ø4 x L24)	48	.KBE-298-7046P	.Pin (Ø7.92-L75)
20	.KBE-298-7018P	.Throttle bushing	49	.KBE-298-7047P	.Hammer dog
21	.KBE-298-7019P	.Throttle pin	50	.KBE-298-7048P	.Washer (d42-D65-5.2t)
22	.KBE-298-7020P	.Steel ball (Ø1/2")	51	.KBE-298-7049P	.Anvil (standard)
23	.KBE-298-7021P	.Spring	52	.KBE-298-7052P	.O Ring (d17.6-Ø2.8)
24	.KBE-298-7022P	.Hose fitting	53	.KBE-298-7053P	.Anvil collar
25	.KBE-298-7023P	.O Ring (d21.8-Ø2.4(P22))	54	.KBE-298-7054P	.Blow moulded case
26	.KBE-298-7024P	.Dust cover	55	.KBE-298-5177F	.Specification label
27	.KBE-298-7025P	.Valve sleeve			
28	.KBE-298-7026P	.Phillips csk. screw (M4-L16)			
29	.KBE-298-7027P	.Reverse valve			

NOTE: 150mm (6") & 200mm (8") Anvils available, price and fitting available upon request.

Distributed by:
 KENNEDY TOOLS, Wigston Works, Leicester, England.
 ISO 9001 REGISTERED COMPANY © The Kennedy Group Ltd. July 2007