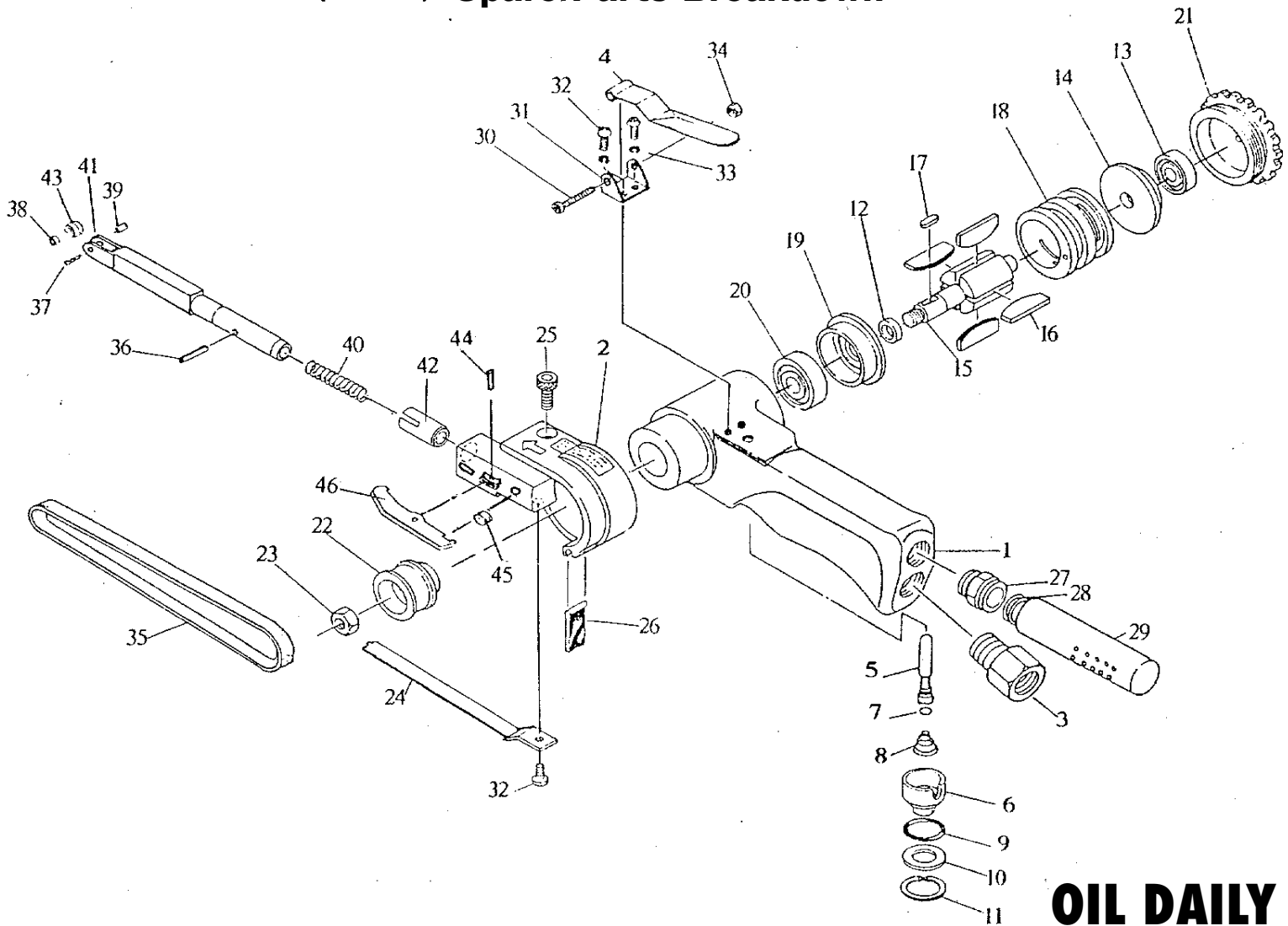


# MBS1606L 6MM MINI BELT SANDER

Order Code: KBE-270-2750K  
Spare Parts Breakdown



**OIL DAILY**

No.	Order Code	Description
1	KBE-298-1169S	Housing
2	KBE-298-1172S	Guard Sub
3	KBE-298-1175S	Air Inlet
4	KBE-298-1178S	Lever
5	KBE-298-1181S	Valve Stem
6	KBE-298-1184S	Adjust Valve
7	KBE-298-1187S	O-Ring
8	KBE-298-1190S	Spring
9	KBE-298-1193S	O-Ring
10	KBE-298-1196S	Spacer
11	KBE-298-1199S	Retaining Ring
12	KBE-298-1202S	Spacer
13	CES-298-0609B	Bearing
14	KBE-298-1205S	Rear End Plate
15	KBE-298-1208S	Rotor
16	KBE-298-1211S	Rotor Blades (4)
17	KBE-298-1214S	Sunk Key

No.	Order Code	Description
18	KBE-298-1217S	Cylinder
19	KBE-298-1220S	Front End Plate
20	CES-298-6001B	Bearing
21	KBE-298-1223S	Cap
22	KBE-298-1226S	Drive Pulley
23	KBE-298-1229S	Hexagon Nut
24	KBE-298-1232S	Shoe
25	KBE-298-1235S	Socket Screw
26	KBE-298-1238S	Dust Cover
27	KBE-298-1241S	Nipple
28	KBE-298-1244S	Spring
29	KBE-298-1247S	Silencer
30	KBE-298-1250S	Pan Head Machine Screw
31	KBE-298-1253S	Lever Support (3)
32	KBE-298-1256S	Pan Head Machine Screw (3)
33	KBE-298-1259S	Spring Washer (2)
34	KBE-298-1262S	Hexagon Nut

No.	Order Code	Description
35	Replacement Belts	See Operators Manual
36	KBE-298-1268S	Lock Pin
37	KBE-298-1271S	Flat Head Machine Screw
38	KBE-298-1274S	Ball Bearing
39	KBE-298-1277S	Idle Pulley Shaft
40	KBE-298-1280S	Spring
41	KBE-298-5290S	Tension Bar
42	KBE-298-1286S	Bushing
43	KBE-298-1289S	Idle Pulley
44	KBE-298-1292S	Spring Pin
45	KBE-298-1295S	Spring
46	KBE-298-1298S	Safety Lever
47	KBE-298-1301S	Spring
48	KBE-298-1304S	Safety Bar
49	KBE-298-1307S	Spring Pin

Distributed by:  
**KENNEDY TOOLS**  
Wigston Works, Leicester, England.  
ISO 9002 REGISTERED COMPANY  
©The Kennedy Group Ltd. November 1997