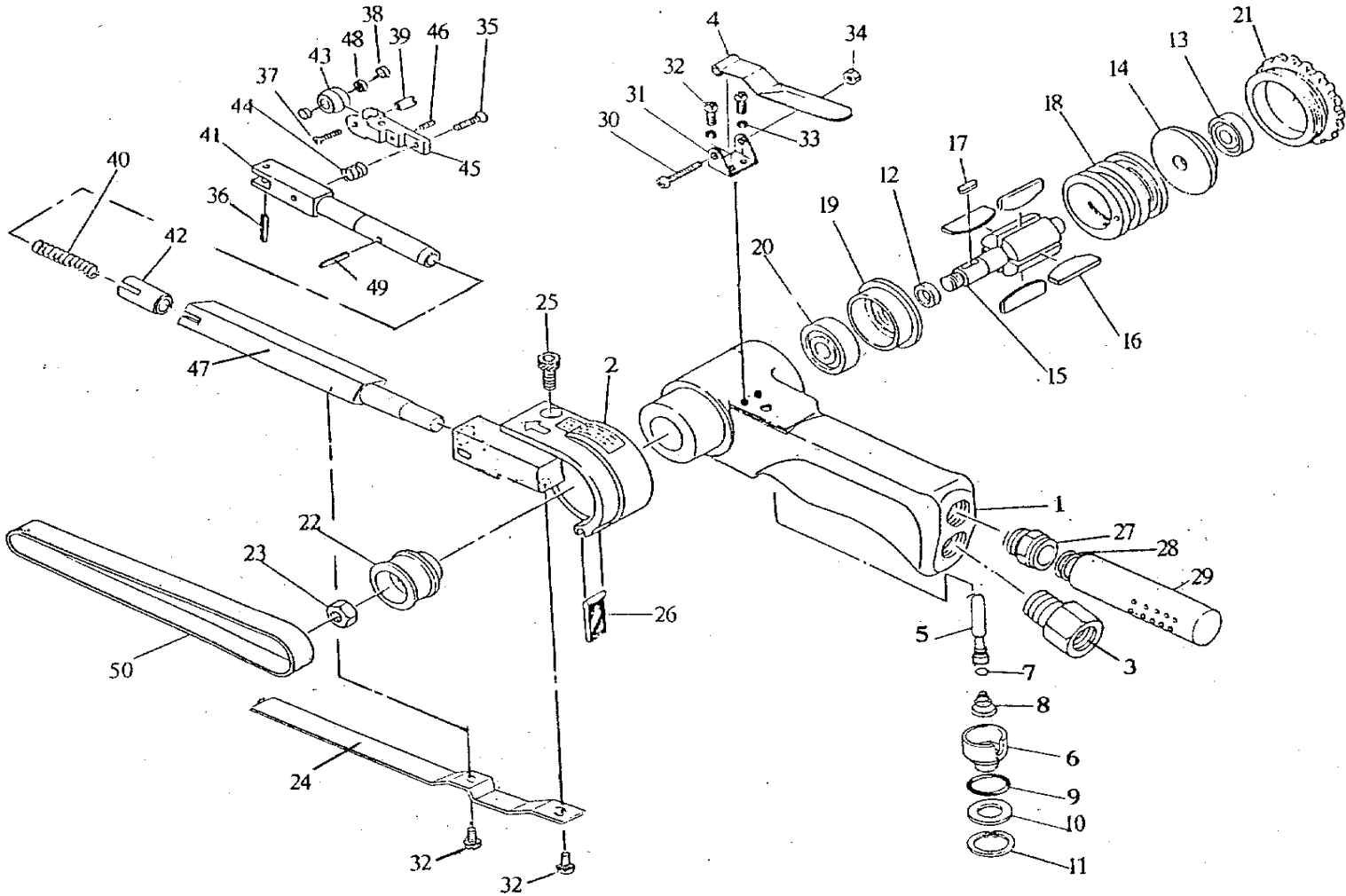


Order Code: KBE-270-2800K

Spare Parts Breakdown



OIL DAILY

No.	Order Code	Description
1	KBE-298-1169S	Housing
2	KBE-298-1310S	Guard Sub
3	KBE-298-1175S	Air Inlet
4	KBE-298-1178S	Lever
5	KBE-298-1181S	Valve Stem
6	KBE-298-1184S	Adjust Valve
7	KBE-298-1313S	O-Ring
8	KBE-298-1190S	Spring
9	KBE-298-1193S	O Ring
10	KBE-298-1196S	Spacer
11	KBE-298-1199S	Retaining Ring
12	KBE-298-1202S	Spacer
13	CES-298-0607A	Ball Bearing
14	KBE-298-1205S	Rear End Plate
15	KBE-298-1208S	Rotor
16	KBE-298-1211S	Rotor Blade (4)
17	KBE-298-1214S	Sunk Key
18	KBE-298-1217S	Cylinder

No.	Order Code	Description
19	KBE-298-1220S	Front End Plate
20	CES-298-2480H	Ball Bearing
21	KBE-298-1223S	Cap
22	KBE-298-1316S	Drive Pulley
23	KBE-298-1229S	Hexagon Nut
24	KBE-298-1319S	Shoe
25	KBE-298-1322S	Hexagon Socket Head Bolt
26	KBE-298-1325S	Dust Cover
27	KBE-298-1241S	Nipple
28	KBE-298-1244S	Spring
29	KBE-298-1247S	Silencer
30	KBE-298-1250S	Pan Head Machine Screw
31	KBE-298-1253S	Lever Support
32	KBE-298-1256S	Pan Head Machine Screw (4)
33	KBE-298-1259S	Spring Washer (2)
34	KBE-298-1262S	Hexagon Nut
35	KBE-298-1328S	Pan Head Machine Screw
36	KBE-298-1331S	Spring Pin

No.	Order Code	Description
37	KBE-298-1271S	Pan Head Machine Screw
38	KBE-298-1274S	Ball Bearing (2)
39	KBE-298-1334S	Idle Pulley Shaft
40	KBE-298-1280S	Spring
41	KBE-298-1283S	Tension Bar
42	KBE-298-5301S	Bushing
43	KBE-298-1337S	Idle Pulley
44	KBE-298-1340S	Spring
45	KBE-298-1343S	Bracket
46	KBE-298-1346S	Set Screw
47	KBE-298-1349S	Extension Bar
48	KBE-298-1352S	Spacer
49	KBE-298-1355S	Lock Pin
50	Replacement Belts	See Operators Manual
51	KBE-298-1358S	Spring
52	KBE-298-1361S	Safety Bar
53	KBE-298-1364S	Spring Pin

Distributed by:

KENNEDY TOOLS

Wigston Works, Leicester, England.

ISO 9002 REGISTERED COMPANY

©The Kennedy Group Ltd. November 1997