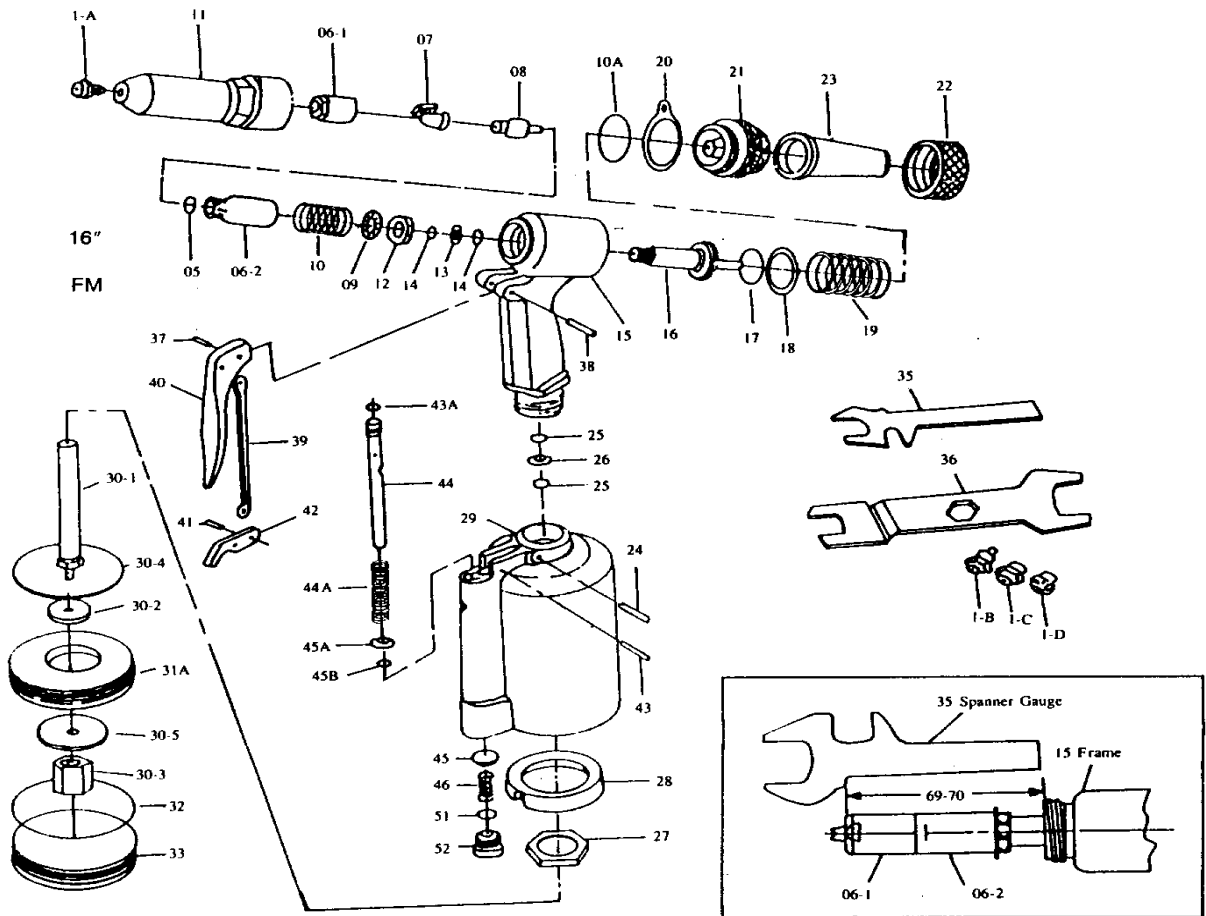


## Spare Parts Breakdown



## OIL DAILY

No.	Order Code	Description	No.	Order Code	Description	No.	Order Code	Description
1A	KBE-280-0031A	Nosepiece (3/16")	18	KBE-298-0695S	Back Up Ring	33	KBE-298-0752S	Cylinder Cap
1B	KBE-280-0034A	Nosepiece (5/32")	19	KBE-298-0698S	Return Spring	35	KBE-280-0043A	Spanner Gauge
1C	KBE-280-0037A	Nosepiece (1/8")	20	KBE-298-0701S	Hanging Clip	36	KBE-280-0046A	Spanner
1D	KBE-280-0040A	Nosepiece (3/32")	21	KBE-298-0704S	Frame Cap	37	KBE-298-0755S	Trigger Pin
5	KBE-298-0641S	O-Ring	22	KBE-298-0707S	Frame Cap Nut	38	KBE-298-0758S	Connector
06-1	KBE-298-0644S	Jaw Case Front Tart	23	KBE-298-0710S	Safety Cap	39	KBE-298-0761S	Trigger Rod
06-2	KBE-298-0656S	Jaw Case End Tart	24	KBE-298-0713S	Setting Screw Pin	40	KBE-298-0764S	Trigger
7	KBE-298-0659S	Jaw	25	KBE-298-0716S	Back Up O-Ring	41	KBE-298-0767S	Connector
8	KBE-298-0662S	Jaw Pusher	26	KBE-298-0719S	Back Up Ring	42	KBE-298-0770S	Trigger Lever
9	KBE-298-0665S	Case Waviser Ring	27	KBE-298-0722S	Frame Lock Nut	43	KBE-298-0773S	Lever Pin
10	KBE-298-0668S	Jaw Pusher Spring	28	KBE-298-0725S	Rubber Cushion	43A	KBE-298-0776S	Pusher O-Ring
10A	KBE-298-0671S	Frame Cap O-Ring	29	KBE-298-0728S	Air Cylinder	44	KBE-298-0779S	Valve Pusher
11	KBE-298-0674S	Frame Head	30-1	KBE-298-0731S	Air Piston Stem	44A	KBE-298-0782S	Valve Spring
12	KBE-298-0677S	Case Lock Nut	30-2	KBE-298-0734S	Air Piston Ai	45	KBE-298-0785S	Valve
13	KBE-298-0680S	Back Up Ring	30-3	KBE-298-0737S	Air Piston Lock Nut	45A	KBE-298-0788S	Valve Collar
14	KBE-298-0683S	Back Up O-Ring P12	30-4	KBE-298-0740S	Major Iron Plate	45B	KBE-298-0791S	Collar O-Ring
15	KBE-298-0686S	Frame	30-5	KBE-298-0743S	Small Iron Plate	46	KBE-298-0794S	Valve Spring
16	KBE-298-0689S	Oil Piston	31A	KBE-298-0746S	Air Piston Ring	51	KBE-298-0797S	Valve Cap O-Ring
17	KBE-298-0692S	Oil Piston O-Ring	32	KBE-298-0749S	Cylinder O-Ring	52	KBE-298-0800S	Valve Cap

Distributed by:

**KENNEDY TOOLS**

Wigston Works, Leicester, England.

ISO 9002 REGISTERED COMPANY

©The Kennedy Group Ltd. March 1997