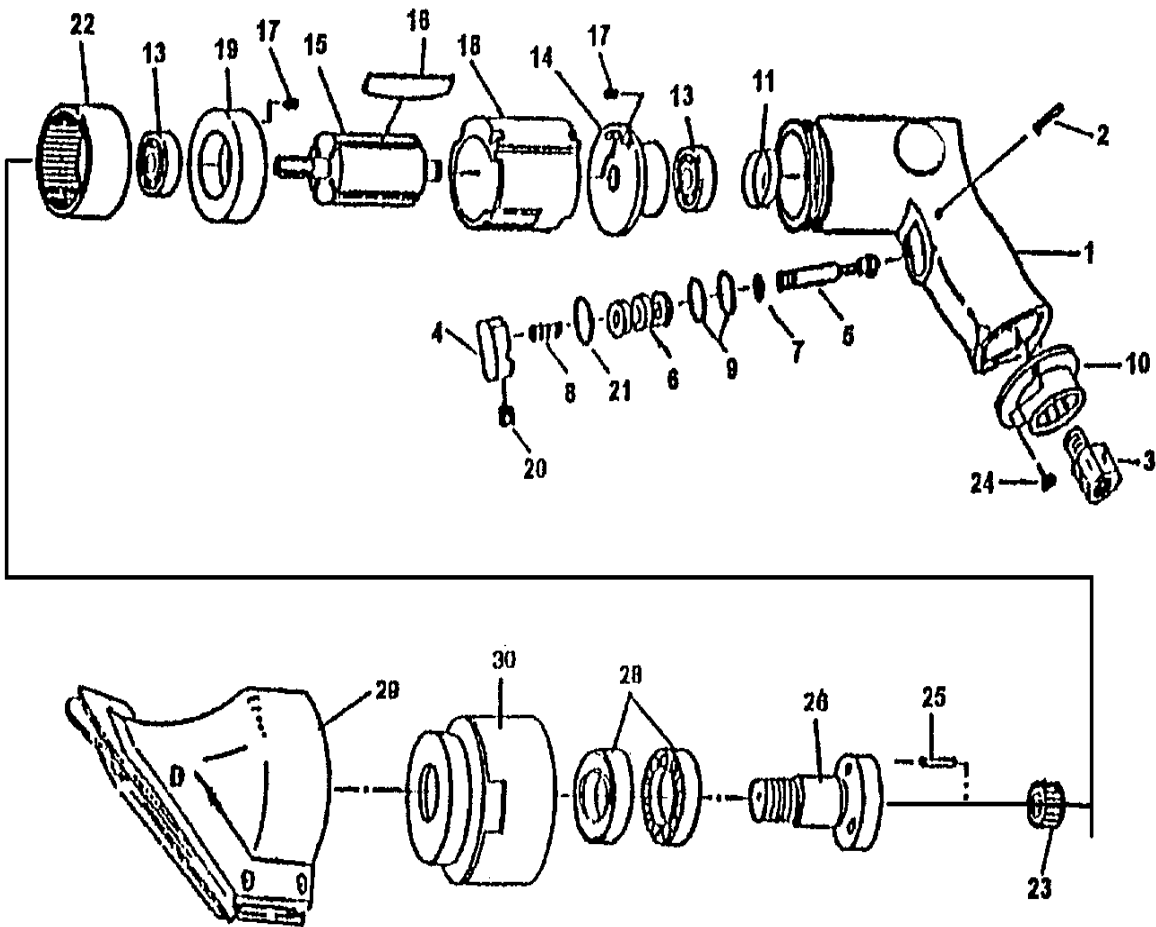


Order Code: KBE-270-3900K

Spare Parts Breakdown



OIL DAILY

No.	Order Code	Description
1	KBE-298-0338S	Motor Housing
2	KBE-298-1919S	Pin
3	KBE-298-1922S	Air Inlet
4	KBE-298-1925S	Trigger
5	KBE-298-1928S	Valve Stem
6	KBE-298-1931S	Valve Bushing
7	KBE-298-1934S	O-Ring
8	KBE-298-1937S	Spring
9	KBE-298-1940S	O-Ring (2)
10	KBE-298-1943S	Muffler
11	KBE-298-0368S	Bearing Cap
13	CES-298-0627B	Bearing (2)
14	KBE-298-0371S	Rear Plate
15	KBE-298-0374S	Rotor

No.	Order Code	Description
16	KBE-298-0377S	Rotor Blades (4)
17	KBE-298-1955S	Pin (2)
18	KBE-298-1958S	Cylinder
19	KBE-298-0386S	Front End Plate
20	KBE-298-1964S	Screw
21	KBE-298-1967S	O-Ring
22	KBE-298-0395S	Internal Gear
23	KBE-298-0398S	Planet Gears (3)
24	KBE-298-0401S	Screw (2)
25	KBE-298-0404S	Planet Pin (3)
26	KBE-298-0407S	Planet Cage
28	CES-298-6203D	Bearing (2)
29	KBE-280-0022A	Shear Head
30	KBE-298-0410S	Front Housing

Distributed by:

KENNEDY TOOLS

Wigston Works, Leicester, England.

ISO 9002 REGISTERED COMPANY

©The Kennedy Group Ltd. March 1997