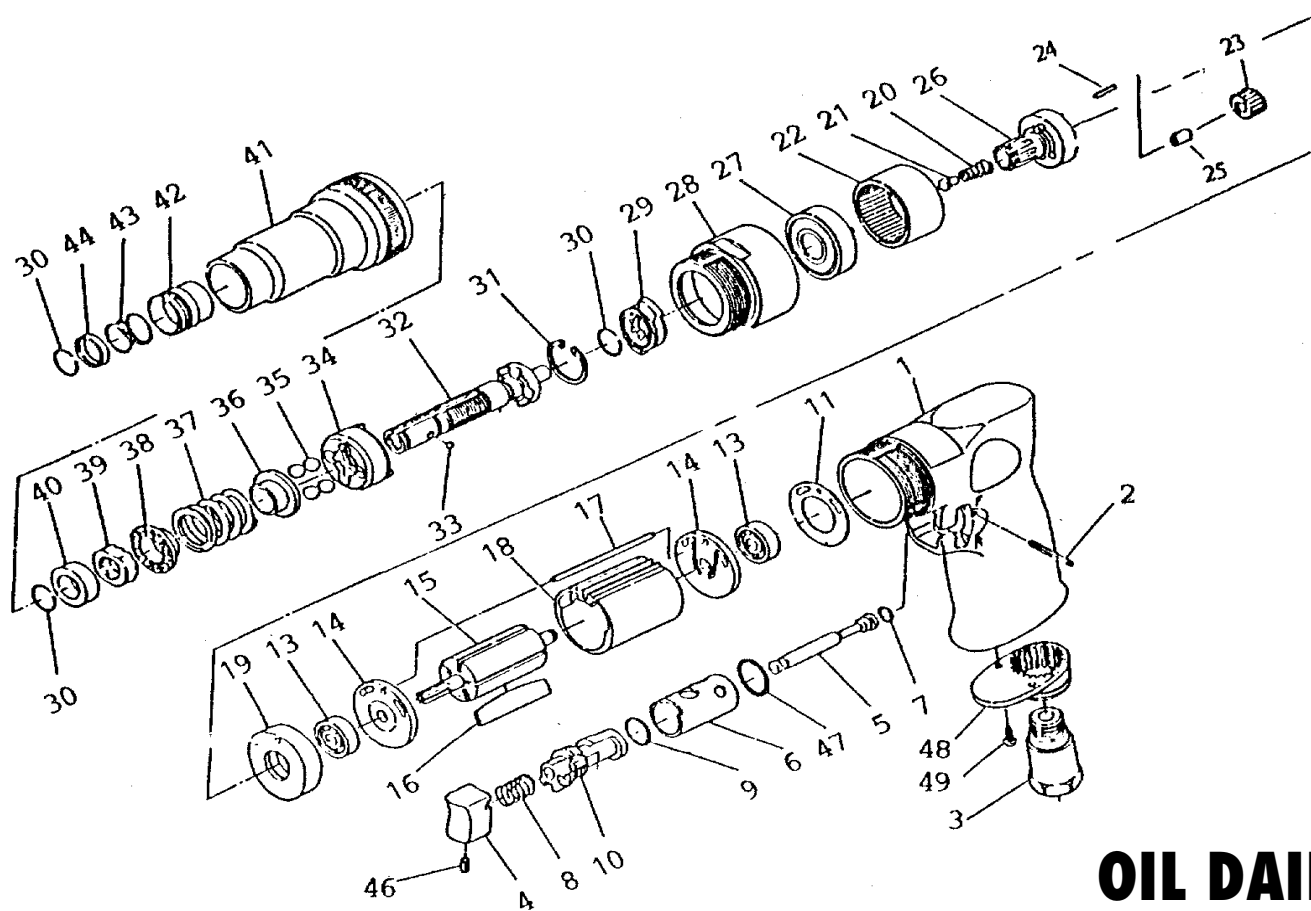


# SP1825 1800RPM SCREWDRIVER

Order Code: KBE-270-3850K

## Spare Parts Breakdown



**OIL DAILY**

No.	Order Code	Description	No.	Order Code	Description	No.	Order Code	Description
1	KBE-298-2231S	Housing	18	KBE-298-2261S	Cylinder	34	KBE-298-2309S	Clutch Carrier
2	KBE-298-2234S	Pin	19	KBE-298-2264S	Spacer	35	KBE-298-2312S	Steel Ball
3	KBE-298-1922S	Air Inlet	20	KBE-298-2267S	Spring	36	KBE-298-2315S	Washer
4	KBE-298-1925S	Trigger	21	KBE-298-2270S	Spring Guide	37	KBE-298-2318S	Spring
5	KBE-298-2237S	Valve Stem	22	KBE-298-2273S	Internal Gear	38	KBE-298-2321S	Washer
6	KBE-298-2240S	Reverse Bushing	23	KBE-298-2276S	Planet Gear	39	KBE-298-2324S	Adjust Nut
7	KBE-298-1934S	O-Ring	24	KBE-298-2279S	Pin	40	KBE-298-2327S	Spacer
8	KBE-298-1937S	Valve Spring	25	KBE-298-2282S	Spacer	41	KBE-298-2330S	Clutch Housing
9	KBE-298-2243S	O-Ring	26	KBE-298-2285S	Work Spindle	42	KBE-298-2333S	Ball Retainer
10	KBE-298-2246S	Reverse Lever	27	KBE-298-2288S	Bearing	43	KBE-298-2336S	Spring
11	KBE-298-2249S	Motor Gasket	28	KBE-298-2291S	Clamp Nut	44	KBE-298-2339S	Washer
13	CES-298-0627B	Bearing	29	KBE-298-2294S	Drive Dog	46	KBE-298-2342S	Set Screw
14	KBE-298-2252S	End Plate	30	KBE-298-2297S	Retainer Ring	47	KBE-298-2345S	O-Ring
15	KBE-298-2255S	Rotor	31	KBE-298-2300S	Retaining Ring	48	KBE-298-1943S	Exhaust Diffuser
16	KBE-298-0572S	Rotorblades (5)	32	KBE-298-2303S	Cam Spindle	49	KBE-298-1970S	Screw
17	KBE-298-2258S	Pin	33	KBE-298-2306S	Steel Ball			

Distributed by:

**KENNEDY TOOLS**

Wigston Works, Leicester, England.

ISO 9002 REGISTERED COMPANY

©The Kennedy Group Ltd. March 1997