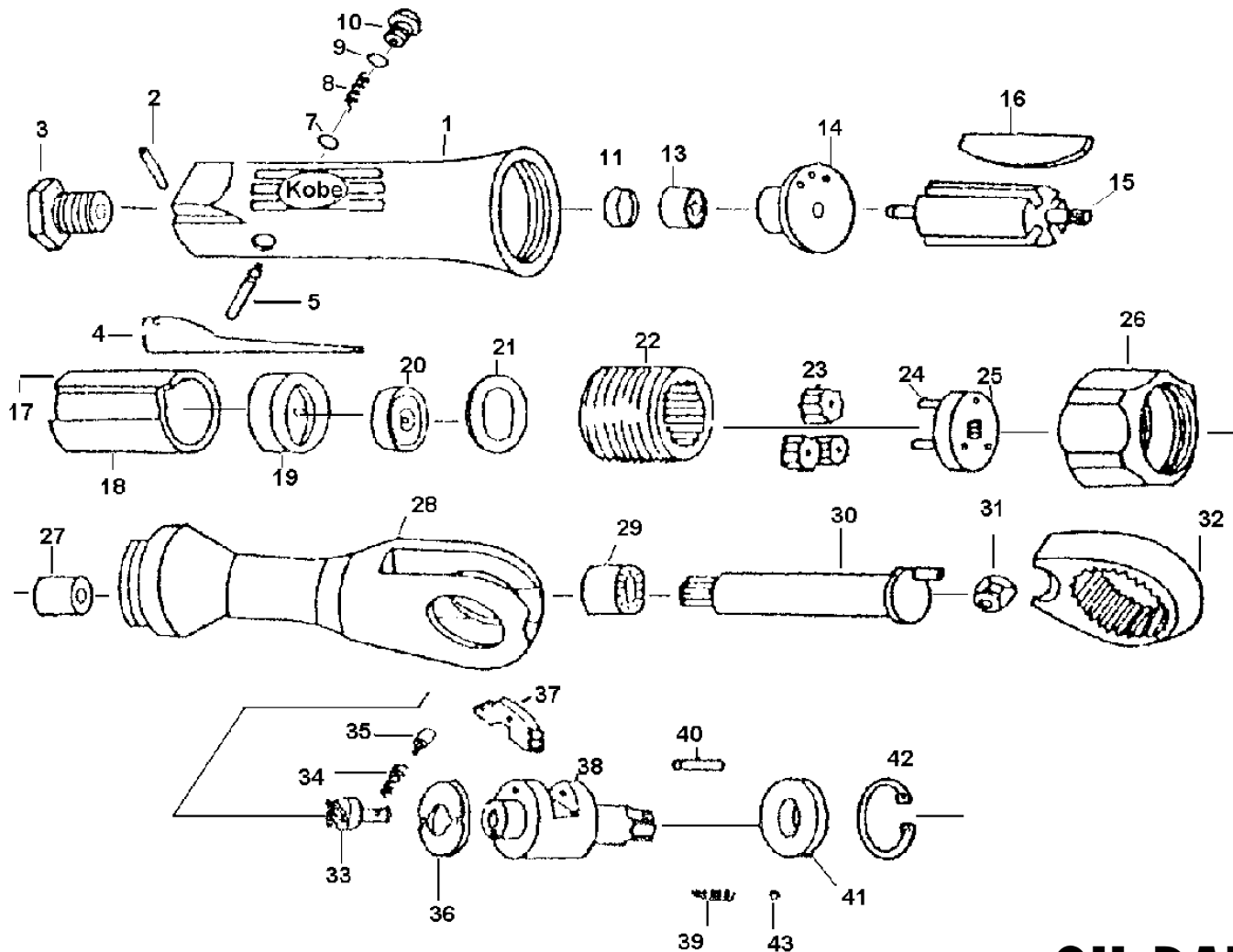


SR375 3/8" SQUARE DRIVE RATCHET SPEED WRENCH

Order Code: KBE-270-2375K

Spare Parts Breakdown



OIL DAILY

No.	Order Code	Description	No.	Order Code	Description	No.	Order Code	Description
1	KBE-298-0001S	Housing	17	KBE-298-0043S	Pin	31	KBE-298-0085S	Drive Bushing
2	KBE-298-0004S	Spring Pin	18	KBE-298-0046S	Cylinder	32	KBE-298-0088S	Yoke
3	KBE-298-0007S	Connection	19	KBE-298-0049S	Front End Plate	33	KBE-298-0091S	Reverse Button
4	KBE-298-0010S	Safety Throttle Lever	20	CES-298-0609B	Bearing	34	KBE-298-0094S	Spring
5	KBE-298-0013S	Throttle Valve	21	KBE-298-0055S	Washer	35	KBE-298-0097S	Spring Cap
7	KBE-298-0016S	O-Ring	22	KBE-298-0058S	Thread Ring Gear	36	KBE-298-0100S	Washer
8	KBE-298-0019S	Spring	23	KBE-298-0061S	Idler Gear (3)	37	KBE-298-0103S	Ratchet Pawl
9	KBE-298-0022S	O-Ring	24	KBE-298-0064S	Idler Gear Pin (3)	38	KBE-298-0106S	Ratchet Anvil 3/8"
10	KBE-298-0025S	Valve Plug	25	KBE-298-0067S	Idler Gear Plate	39	KBE-298-0112S	Spring
11	KBE-298-0028S	End Plate Cap	26	KBE-298-0070S	Clamp Nut	40	KBE-298-0115S	Pin
13	CES-298-0627B	Bearing	27	KBE-298-0073S	Spacer	41	KBE-298-0118S	Thrust Washer 3/8"
14	KBE-298-0034S	Rear End Plate	28	KBE-298-0076S	Ratchet Housing	42	KBE-298-0124S	Retainer Ring
15	KBE-298-0037S	Rotor	29	KBE-298-0079S	Needle Bearing	43	KBE-298-0127S	Ball (2)
16	KBE-298-0040S	Vanes (4)	30	KBE-298-0082S	Crank Shaft			

Distributed by:

KENNEDY TOOLS

Wigston Works, Leicester, England.

ISO 9002 REGISTERED COMPANY

©The Kennedy Group Ltd. March 1997