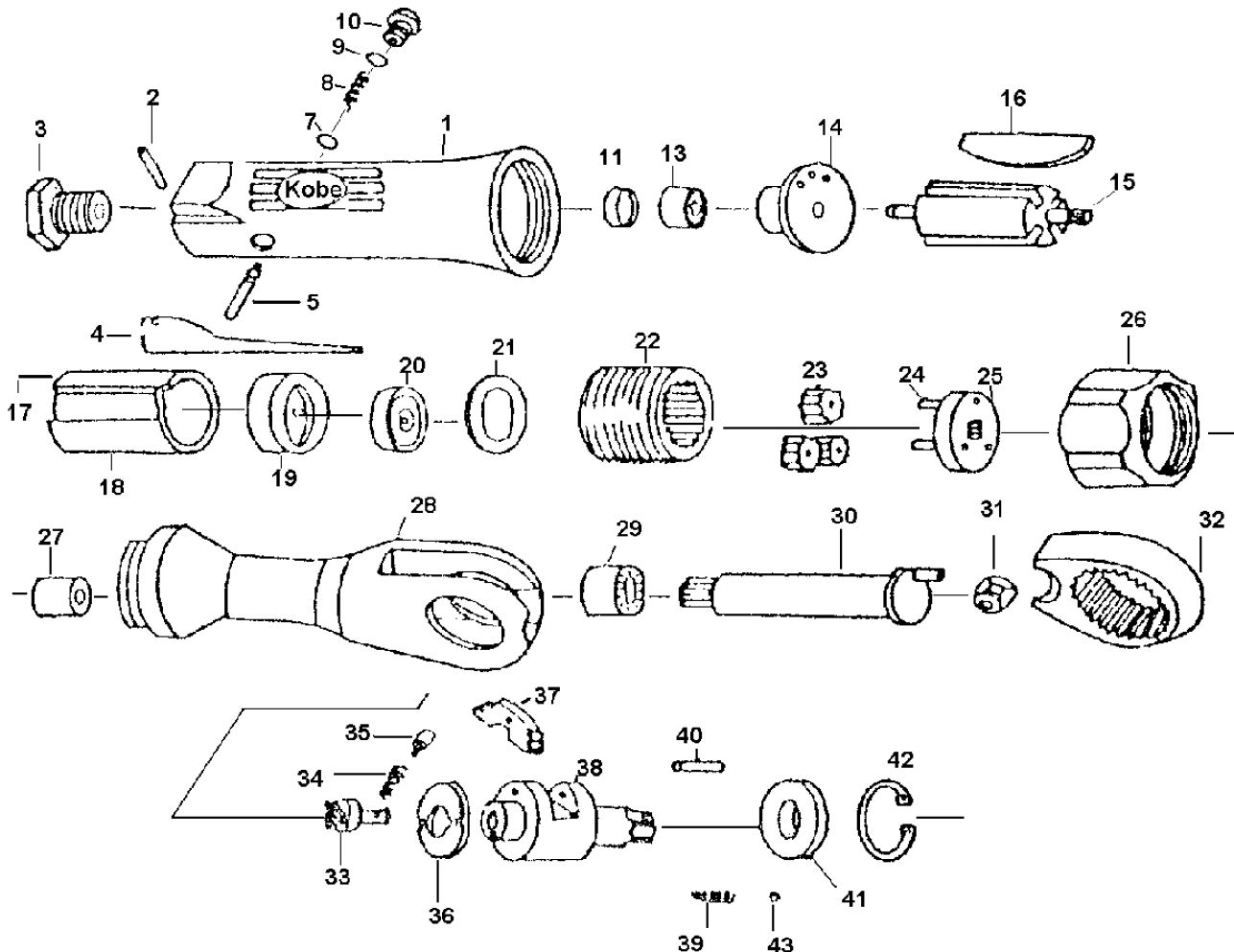


SR500 1/2" SQUARE DRIVE RATCHET SPEED WRENCH

Order Code: KBE-270-2500K

Spare Parts Breakdown



OIL DAILY

No.	Order Code	Description
1	KBE-298-0001S	Housing
2	KBE-298-0004S	Spring Pin
3	KBE-298-0007S	Connection
4	KBE-298-0010S	Safety Throttle Lever
5	KBE-298-0013S	Throttle Valve
7	KBE-298-0016S	O-Ring
8	KBE-298-0019S	Spring
9	KBE-298-0022S	O-Ring
10	KBE-298-0025S	Valve Plug
11	KBE-298-0028S	End Plate Cap
13	CES-298-0627B	Bearing
14	KBE-298-0034S	Rear End Plate
15	KBE-298-0037S	Rotor
16	KBE-298-0040S	Vanes (4)

No.	Order Code	Description
17	KBE-298-0043S	Pin
18	KBE-298-0046S	Cylinder
19	KBE-298-0049S	Front End Plate
20	CES-298-0609B	Bearing
21	KBE-298-0055S	Washer
22	KBE-298-0058S	Thread Ring Gear
23	KBE-298-0061S	Idler Gear (3)
24	KBE-298-0064S	Idler Gear Pin (3)
25	KBE-298-0067S	Idler Gear Plate
26	KBE-298-0070S	Clamp Nut
27	KBE-298-0073S	Spacer
28	KBE-298-0076S	Ratchet Housing
29	KBE-298-0079S	Needle Bearing
30	KBE-298-0082S	Crank Shaft

No.	Order Code	Description
31	KBE-298-0085S	Drive Bushing
32	KBE-298-0088S	Yoke
33	KBE-298-0091S	Reverse Button
34	KBE-298-0094S	Spring
35	KBE-298-0097S	Spring Cap
36	KBE-298-0100S	Washer
37	KBE-298-0103S	Ratchet Pawl
38	KBE-298-0109S	Ratchet Anvil 1/2"
39	KBE-298-0112S	Spring
40	KBE-298-0115S	Pin
41	KBE-298-0121S	Thrust Washer 1/2"
42	KBE-298-0124S	Retainer Ring
43	KBE-298-0127S	Ball (2)

Distributed by:

KENNEDY TOOLS

Wigston Works, Leicester, England.

ISO 9002 REGISTERED COMPANY

©The Kennedy Group Ltd. May 1998