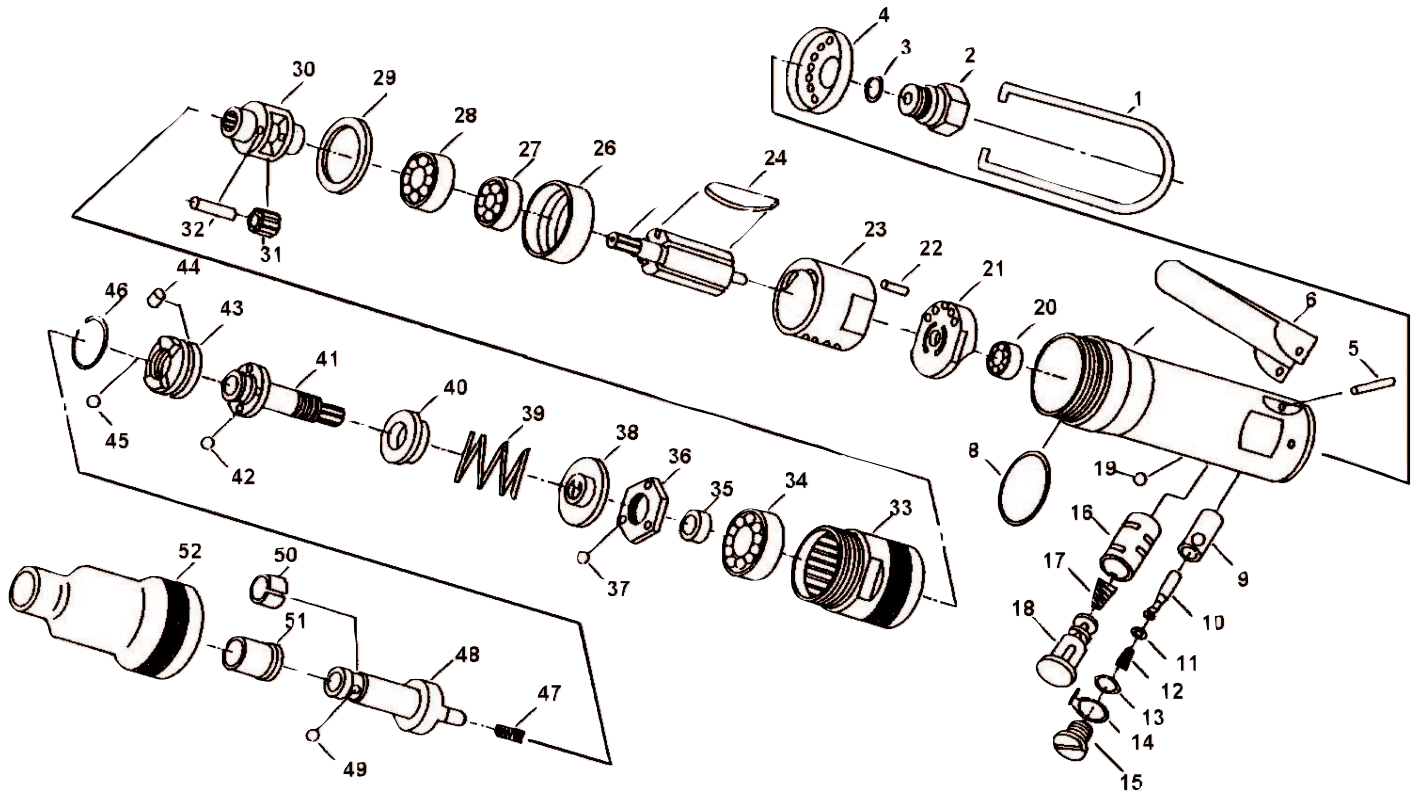


Order Code: KBE-270-3800K

Spare Parts Breakdown



OIL DAILY

No.	Order Code	Description	No.	Order Code	Description	No.	Order Code	Description
1	KBE-298-0803S	Hanger	19	KBE-298-0857S	Steel Ball	37	KBE-298-0899S	Steel Ball
2	KBE-298-0806S	Air Inlet	20	CES-298-0695A	Ball Bearing	38	KBE-298-0902S	Adjust Nut Seat
3	KBE-298-0809S	O.Ring	21	KBE-298-0860S	Rear End Plate	39	KBE-298-0905S	Clutch Spring
4	KBE-298-0812S	Exhaust Cover	22	KBE-298-0863S	Pin	40	KBE-298-0908S	Clutch Spring Seat
5	KBE-298-0815S	Lever Pin	23	KBE-298-0866S	Cylinder	41	KBE-298-0911S	Clutch Spindle
6	KBE-298-0818S	Switch Lever	24	KBE-298-0869S	Rotorblade	42	KBE-298-0914S	Steel Ball
7	KBE-298-0821S	Rotor Case	25	KBE-298-0872S	Rotor	43	KBE-298-0917S	Dog
8	KBE-298-0824S	O.Ring	26	KBE-298-0875S	Front Plate	44	KBE-298-0920S	Dog Plug
9	KBE-298-0827S	Bushing	27	CES298-0627B	Ball Bearing	45	KBE-298-0923S	Ball
10	KBE-298-0830S	Valve Stem	28	CES-298-0609B	Ball Bearing	46	KBE-298-0926S	Dog Retainer
11	KBE-298-0833S	O-Ring	29	KBE-298-0878S	Washer	47	KBE-298-0929S	Center Spring
12	KBE-298-0836S	Valve Spring	30	KBE-298-0881S	Planet Cage	48	KBE-298-0932S	Anvil
13	KBE-298-0839S	O-Ring	31	KBE-298-0884S	Planet Wheel	49	KBE-298-0935S	Steel Ball
14	KBE-298-0842S	Reverse Retainer	32	KBE-298-0887S	Planet Pin	50	KBE-298-0938S	Steel Ball Collar
15	KBE-298-0845S	Valve Screw	33	KBE-298-0890S	Internal Gear	51	KBE-298-0941S	Bushing
16	KBE-298-0848S	Bushing	34	CES-298-6001B	Ball Bearing	52	KBE-298-0944S	Clutch Case Nut
17	KBE-298-0851S	Reverse Spring	35	KBE-298-0893S	Collar	53	KBE-280-0049A	Adjust Spanner
18	KBE-298-0854S	Reverse Valve	36	KBE-298-0896S	Adjust Nut	54	KBE-280-0052A	Stop Spanner

Distributed by:

KENNEDY TOOLS

Wigston Works, Leicester, England.

ISO 9002 REGISTERED COMPANY

©The Kennedy Group Ltd. March 1997