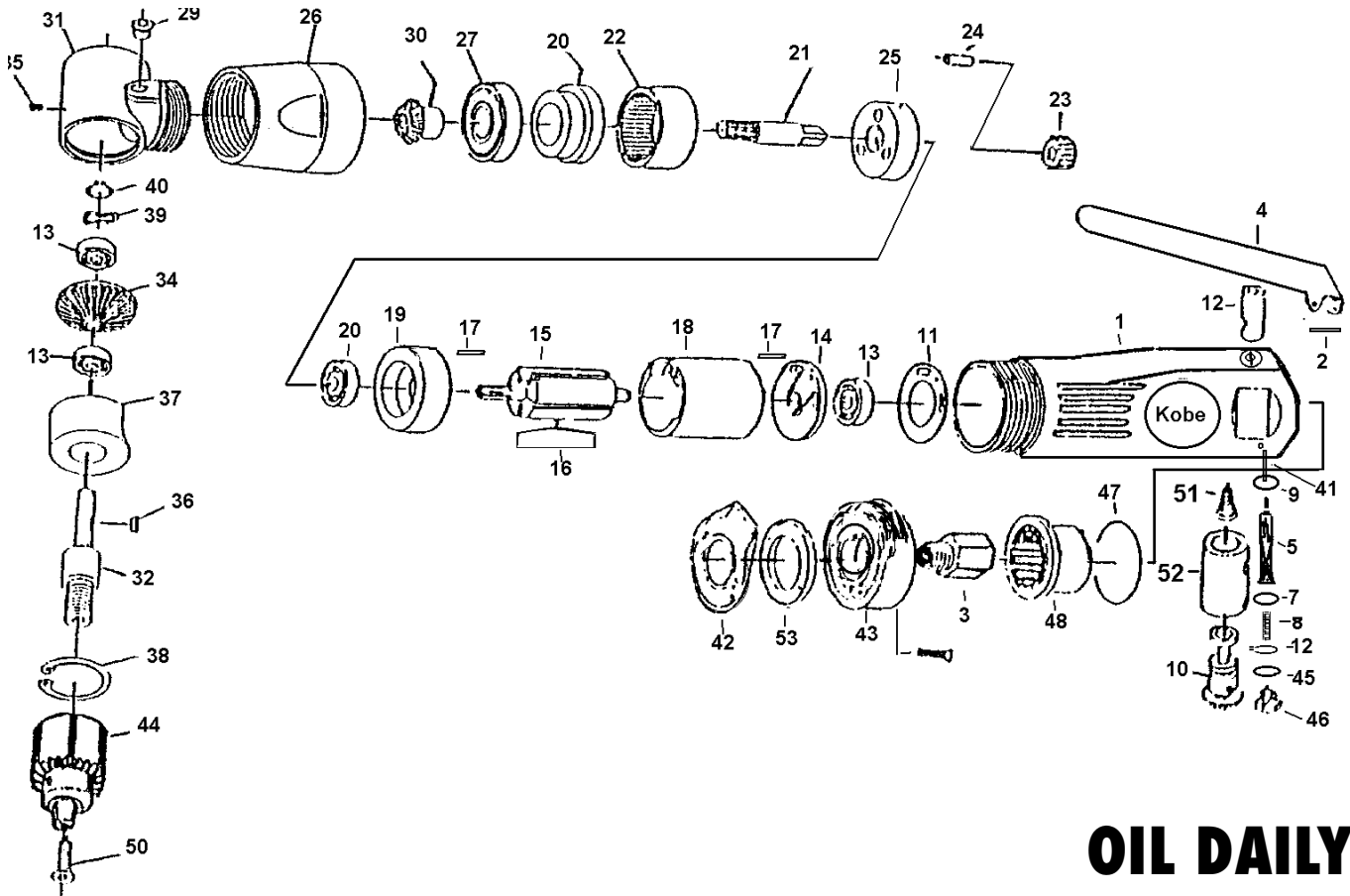


Order Code: KBE-270-1425M

## Spare Parts Breakdown



## OIL DAILY

No.	Order Code	Description	No.	Order Code	Description	No.	Order Code	Description
1	KBE-298-0947S	Motor Housing	19	KBE-298-0989S	Front End Plate	38	KBE-298-1031S	Retainer Ring
2	KBE-298-0004S	Pin	20	CES-298-0609B	Ball Bearing	39	KBE-298-1034S	Wave Washer
3	KBE-298-0950S	Air Inlet	21	KBE-298-0992S	Shaft	40	KBE-298-1037S	Retainer Ring
4	KBE-298-0953S	Throttle Lever	22	KBE-298-0995S	Internal Gear	41	KBE-298-1040S	Spring Pin
5	KBE-298-0956S	Valve Stem	23	KBE-298-0998S	Planet Gear	42	KBE-298-1043S	Gasket
6	KBE-298-0959S	Valve	24	KBE-298-0064S	Pin	43	KBE-298-1046S	Rear Cover
7	KBE-298-0962S	O-Ring	25	KBE-298-1001S	Cage	44	KBE-280-0119A	10mm Chuck
8	KBE-298-0965S	Spring	26	KBE-298-1004S	Lock Ring	45	KBE-298-0022S	O-Ring
9	KBE-298-0968S	O-Ring	27	CES-298-6003D	Ball Bearing	46	KBE-298-1049S	Throttle Valve Plug
10	KBE-298-0971S	Reverse Lever	28	KBE-298-1007S	Spacer	47	KBE-298-1052S	Retainer Ring
11	KBE-298-0974S	Motor Gasket	29	KBE-298-1010S	Oil Cap	48	KBE-298-1055S	Exhaust Deflector
12	KBE-298-0977S	Reverse Retainer	30	KBE-298-1013S	Pinion	49	KBE-298-1058S	Screw
13	CES-298-0627B	Ball Bearing	31	KBE-298-1016S	Angle Housing	50	KBE-298-2126S	Chuck Screw
14	KBE-298-2252S	End Plate	32	KBE-298-1019S	Spindle	51	KBE-298-1061S	Spring
15	KBE-298-0980S	Rotor	34	KBE-298-1022S	Gear	52	KBE-298-1064S	Reverse Bushing
16	KBE-298-0572S	Rotor Blades	35	KBE-298-1964S	Set Screw	53	KBE-298-1067S	Muffler
17	KBE-298-0983S	Pin	36	KBE-298-1025S	Key		KBE-280-0122A	Chuck Key (Not shown)
18	KBE-298-0986S	Cylinder	37	KBE-298-1028S	Bearing Cap			

Distributed by:

**KENNEDY TOOLS**

Wigston Works, Leicester, England.

ISO 9002 REGISTERED COMPANY

©The Kennedy Group Ltd. October 1999