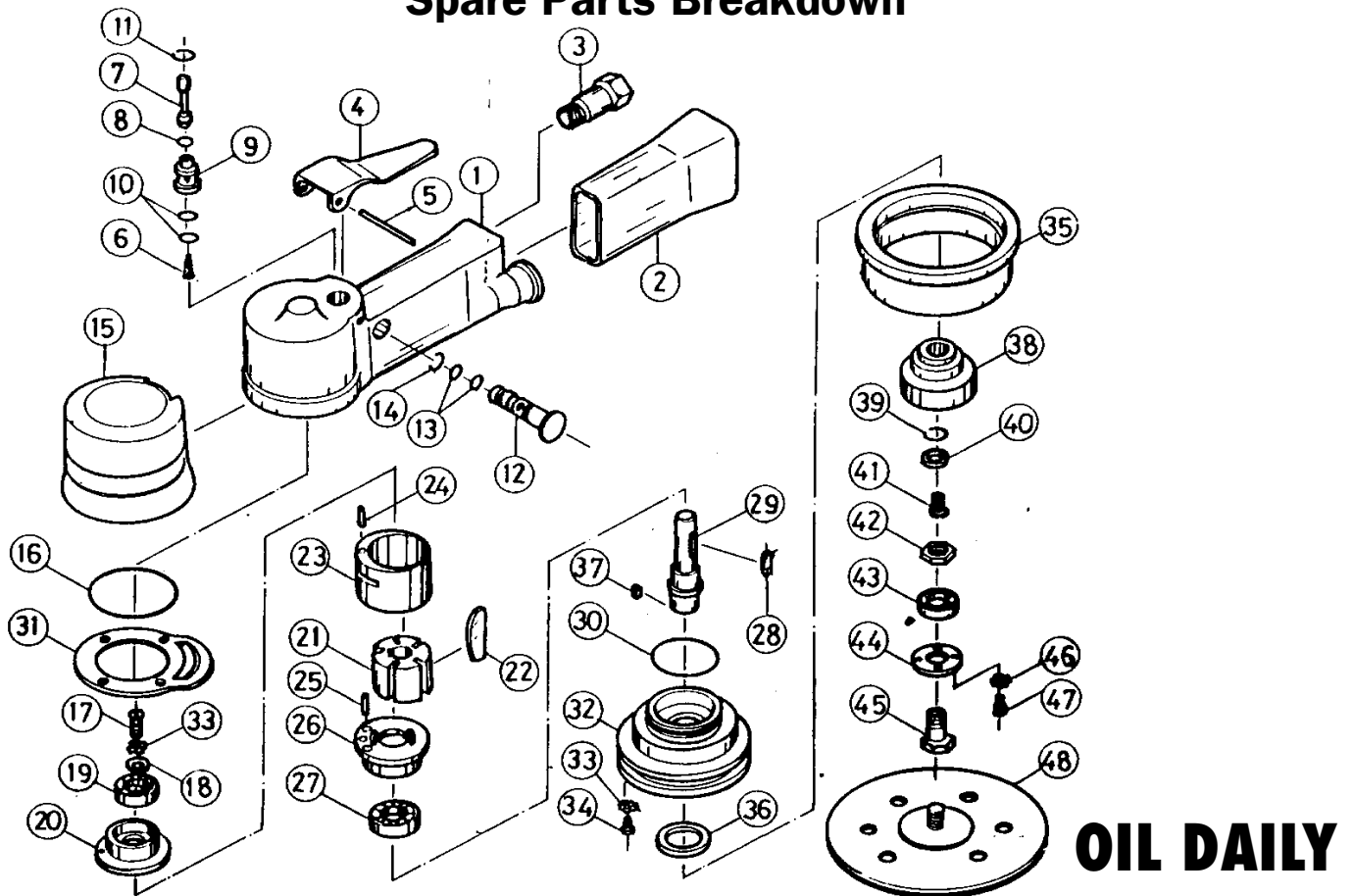


Order Code: KBE-270-2700K

Spare Parts Breakdown



No.	Order Code	Description
1	KBE-298-1775S	Motor Housing
2	KBE-298-1778S	Handle Cover
3	KBE-298-1781S	Air Inlet
4	KBE-298-1784S	Valve Lever
5	KBE-298-1787S	Spring Pin
6	KBE-298-1790S	Throttle Valve Spring
7	KBE-298-1793S	Valve
8	KBE-298-1796S	O-Ring
9	KBE-298-1799S	Valve Bushing
10	KBE-298-1802S	O-Ring (2)
11	KBE-298-1805S	Retaining Ring
12	KBE-298-1808S	Air Regulator
13	KBE-298-1811S	O-Ring (2)
14	KBE-298-1814S	Retaining Ring
15	KBE-298-1817S	Body Cover
16	KBE-298-1820S	O-Ring
17	KBE-298-1823S	Screw
18	KBE-298-1826S	Washer
19	CES-298-6205F	Ball Bearing
20	KBE-298-1829S	Rear End Plate
21	KBE-298-1832S	Rotor
22	KBE-298-1835S	Rotor Blades (5)
23	KBE-298-1838S	Cylinder
24	KBE-298-1841S	Spring Pin
25	KBE-298-1844S	Spring Pin
26	KBE-298-1847S	Front End Plate

No.	Order Code	Description
27	CES-298-6001B	Ball Bearing
28	KBE-298-1850S	Key
29	KBE-298-1853S	Rotor Shaft
30	KBE-298-1856S	O-Ring
31	KBE-298-1859S	Housing Packing
32	KBE-298-1862S	Cover
33	KBE-298-1865S	Lock Washer (5)
34	KBE-298-1868S	Screw
35	KBE-298-1871S	Rubber Guard
36	KBE-298-1874S	Felt
37	KBE-298-1877S	Key
38	KBE-298-1880S	Balancer
40	KBE-298-1883S	Washer
41	KBE-298-1886S	Screw
42	KBE-298-1889S	Nut
43	CES-298-6202C	Bearing
44	KBE-298-1892S	Bearing Cover
45	KBE-298-1895S	Pad Shaft
46	KBE-298-1898S	Lock Washer (4)
47	KBE-298-1901S	Screw (4)
48	KEN-280-3920K	"Stikit" Backing Pad
	KEN-280-3390K	"Velcro" Backing Pad
	KBE-298-1907S	Spanner (Not Shown)
	KBE-298-1910S	Rot Bar (Not Shown)
	KBE-280-0061A	Dust Bag (Not Shown)
	KBE-298-1913S	Hose (Not Shown)

For Abrasives see Operators Manual

Distributed by:
KENNEDY TOOLS
Wigston Works, Leicester, England.
ISO 9002 REGISTERED COMPANY
©The Kennedy Group Ltd. March 1997