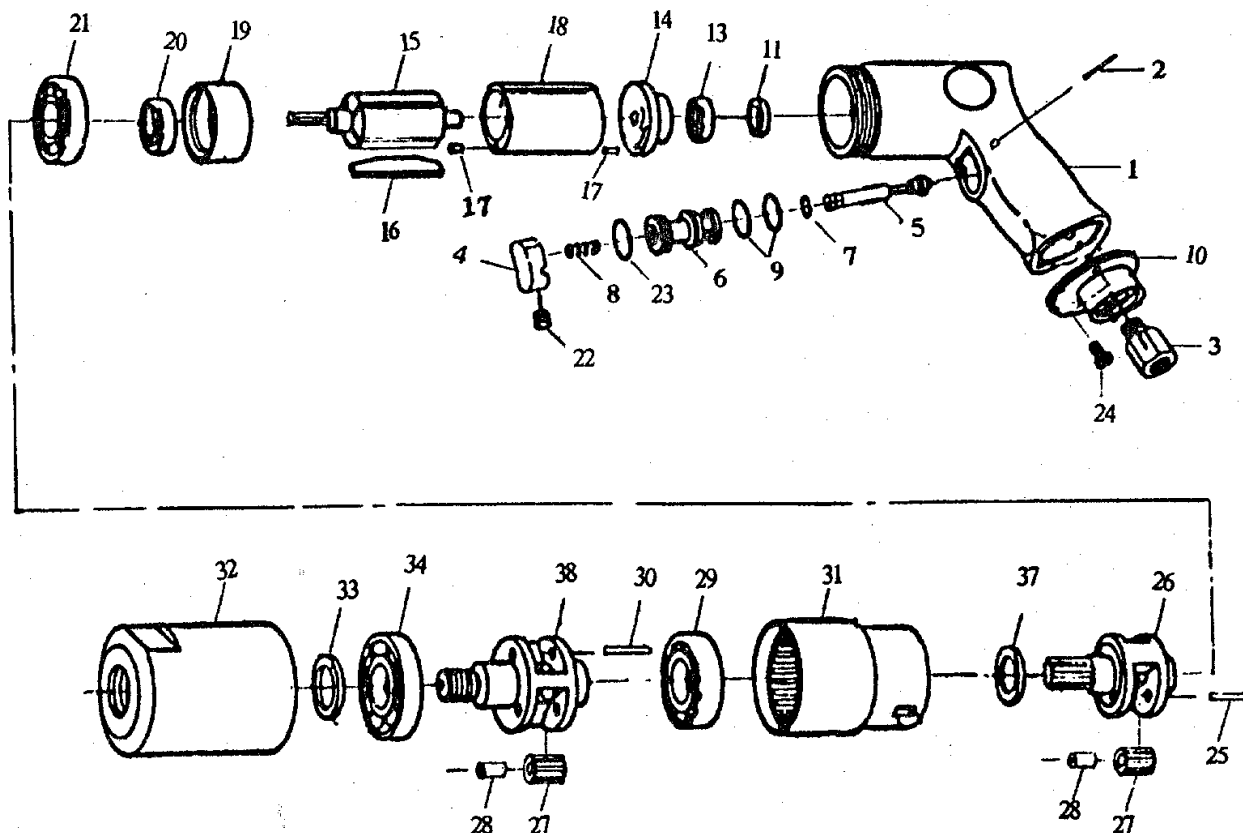


Spare Parts Breakdown



OIL DAILY

No.	Order Code	Description
1	KBE-298-1916S	Motor Housing
2	KBE-298-1919S	Pin
3	KBE-298-1922S	Air Intake Bushing
4	KBE-298-1925S	Trigger
5	KBE-298-1928S	Valve Stem
6	KBE-298-1931S	Valve Bushing
7	KBE-298-1934S	O-Ring
8	KBE-298-1937S	Spring
9	KBE-298-1940S	O-Ring (2)
10	KBE-298-1943S	Muffler Diffuser
11	KBE-298-1946S	Bearing Cap
13	CES-298-0627B	Ball Bearing
14	KBE-298-1949S	Rear End Plate
15	KBE-298-2000S	Rotor
16	KBE-298-0040S	Rotor Blades (4)
17	KBE-298-1955S	Pin (2)
18	KBE-298-1958S	Cylinder
19	KBE-298-1961S	Front End Plate
20	CES-298-0609B	Ball Bearing

No.	Order Code	Description
21	CES-298-6001B	Ball Bearing
22	KBE-298-1964S	Set Screw
23	KBE-298-1967S	O-Ring
24	KBE-298-1970S	Screw (2)
25	KBE-298-2003S	Planet Pin (2)
26	KBE-298-2006S	Planet Cage
27	KBE-298-2009S	Planet Gear (5)
28	KBE-298-2012S	Bushing (5)
29	CES-298-6005F	Ball Bearing
30	KBE-298-2015S	Planet Pin (3)
31	KBE-298-2018S	Internal Gear
32	KBE-298-2021S	Front Housing
33	KBE-298-2024S	Seal
34	CES-298-9051B	Ball Bearing
37	KBE-298-2027S	Washer
38	KBE-298-2030S	Planet Cage
39	KBE-298-2033S	Retainer
40	KBE-298-2036S	Handle
	KBE-280-0125A	13mm Chuck (Not Shown)

Distributed by:

KENNEDY TOOLS

Wigston Works, Leicester, England.

ISO 9002 REGISTERED COMPANY

©The Kennedy Group Ltd. March 1997