

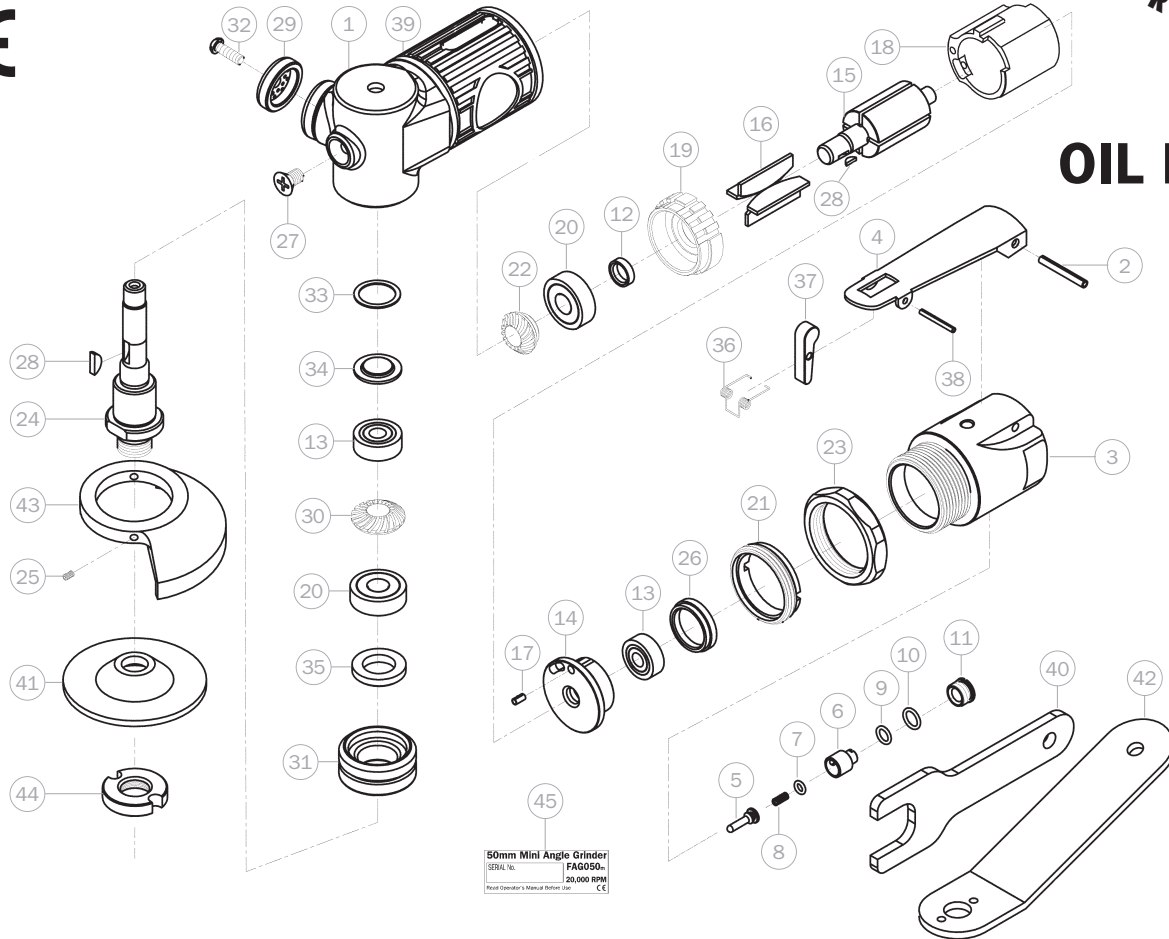


# SPARE PARTS BREAKDOWN



## MINI ANGLE GRINDER 50mm

**MODEL FAG050m ORDER CODE KBE-270-2090K**



**OIL DAILY**

50mm Mini Angle Grinder  
SERIAL No. FAG050m  
20,000 RPM  
Please Operate in Accordance with the CE

No.	Order Code	Description	No.	Order Code	Description
1	KBE-298-3500S	Motor housing	25	KBE-298-3524S	Screw (3) (M3x5L)
2	KBE-298-3501S	Spring pin (3x24L)	26	KBE-298-3525S	Cap
3	KBE-298-3502S	Valve body	27	KBE-298-3526S	Screw (M5x8L)
4	KBE-298-3503S	Lever	28	KBE-298-3527S	Key (2)
5	KBE-298-3504S	Valve stem	29	KBE-298-3528S	Exhaust cover
6	KBE-298-3505S	Adjustable valve	30	KBE-298-3529S	Bevel gear
7	KBE-298-3506S	"O" ring (4.8x1.9)	31	KBE-298-3530S	Lock nut
8	KBE-298-3507S	Spring	32	KBE-298-3531S	Screw (M4x12L)
9	KBE-298-3508S	"O" ring (7.8x1.9)	33	KBE-298-3532S	Packing
10	KBE-298-3509S	"O" ring (9.8x2.4)	34	KBE-298-3533S	Bearing cover
11	KBE-298-3510S	Throttle valve plug	35	KBE-298-3534S	Seal
12	KBE-298-3511S	Spacer	36	KBE-298-3535S	Spring
13	KBE-298-3512S	Ball bearing (2) (606ZZ)	37	KBE-298-3536S	Lever bar
14	KBE-298-3513S	Rear end plate	38	KBE-298-3537S	Spring pin (2x18L)
15	KBE-298-3514S	Rotor	39	KBE-298-3538S	Rubber grip
16	KBE-298-3515S	Rotor blade (4)	40	KBE-298-3539S	Spanner
17	KBE-298-3516S	Spring pin (2.5x5L)	41	KEN-230-0040K	50mm grinding disc A60
18	KBE-298-3517S	Cylinder		KEN-230-0050K	50mm grinding disc A80
19	KBE-298-3518S	Front end plate		KEN-230-0060K	50mm grinding disc A120
20	KBE-298-3519S	Ball bearing (2) (608ZZ)	42	KBE-298-3543S	Pin wrench
21	KBE-298-3520S	Lock nut	43	KBE-298-3544S	Disc cover
22	KBE-298-3521S	Pinion gear	44	KBE-298-3545S	Locking nut
23	KBE-298-3522S	Lock ring	45	KBE-298-3546S	Specification label
24	KBE-298-3523S	Spindle			