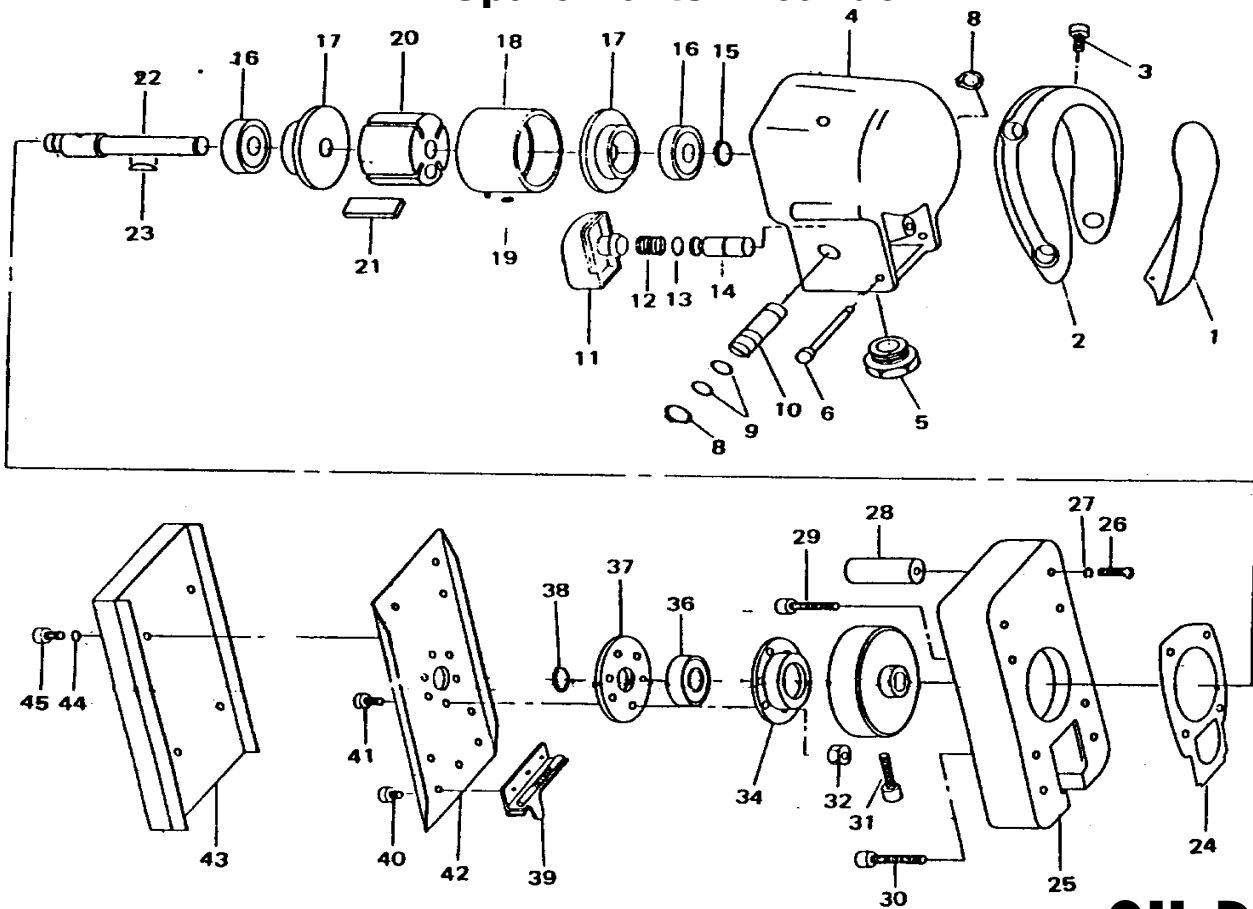


Order Code: KBE-270-2900K

## Spare Parts Breakdown



**OIL DAILY**

| No. | Order Code    | Description            |
|-----|---------------|------------------------|
| 1   | KBE-298-1490S | Lever                  |
| 2   | KBE-298-1493S | Grip W/Metal Strip     |
| 3   | KBE-298-1496S | Grip Screw (4)         |
| 4   | KBE-298-1499S | Body                   |
| 5   | KBE-298-1502S | Inlet Screw            |
| 6   | KBE-298-1505S | Lever Pin              |
| 8   | KBE-298-1508S | Retaining Ring (2)     |
| 9   | KBE-298-1511S | O-Ring (2)             |
| 10  | KBE-298-1514S | Speed Regulator        |
| 11  | KBE-298-1517S | Muffler                |
| 12  | KBE-298-1520S | Spring                 |
| 13  | KBE-298-1523S | O-Ring                 |
| 14  | KBE-298-1526S | Plunger                |
| 15  | KBE-298-1529S | Retaining Ring         |
| 16  | CES-298-6201B | Bearing (2)            |
| 17  | KBE-298-1532S | End Plate (2)          |
| 18  | KBE-298-1535S | Cylinder W/Locking Pin |
| 19  | KBE-298-1538S | O-Ring                 |
| 20  | KBE-298-1541S | Rotor                  |
| 21  | KBE-298-1544S | Rotor Blades (4)       |
| 22  | KBE-298-1547S | Rotor Shaft            |
| 23  | KBE-298-1550S | Key                    |

| No. | Order Code    | Description            |
|-----|---------------|------------------------|
| 24  | KBE-298-1553S | Gasket                 |
| 25  | KBE-298-1556S | Base                   |
| 26  | KBE-298-1559S | Mount Screw (8)        |
| 27  | KBE-298-1562S | Spring Washer (8)      |
| 28  | KBE-298-1565S | Rubber Post (4)        |
| 29  | KBE-298-1568S | Cap Screw (2)          |
| 30  | KBE-298-1571S | Cap Screw (2)          |
| 31  | KBE-298-1574S | Balance Lock Screw     |
| 32  | KBE-298-1577S | Nut                    |
| 33  | KBE-298-1580S | Crank Shaft            |
| 34  | KBE-298-1583S | Bearing Housing        |
| 36  | CES-298-6201B | Ball Bearing           |
| 37  | KBE-298-1586S | Bearing Plate          |
| 38  | KBE-298-1589S | Retaining Ring         |
| 39  | KBE-298-1592S | Paper Clamp (2)        |
| 40  | KBE-298-1595S | Clamp Screw W/Nuts (6) |
| 41  | KBE-298-1598S | Bearing Hang Screw     |
| 42  | KBE-298-1601S | Shoe Plate             |
| 43  | KBE-298-1604S | Sanding Pad            |
| 44  | KBE-298-1607S | Lock Washer (4)        |
| 45  | KBE-298-1610S | Mount Screw (4)        |

Distributed by:

**KENNEDY TOOLS**

Wigston Works, Leicester, England.

ISO 9002 REGISTERED COMPANY

©The Kennedy Group Ltd. March 1997