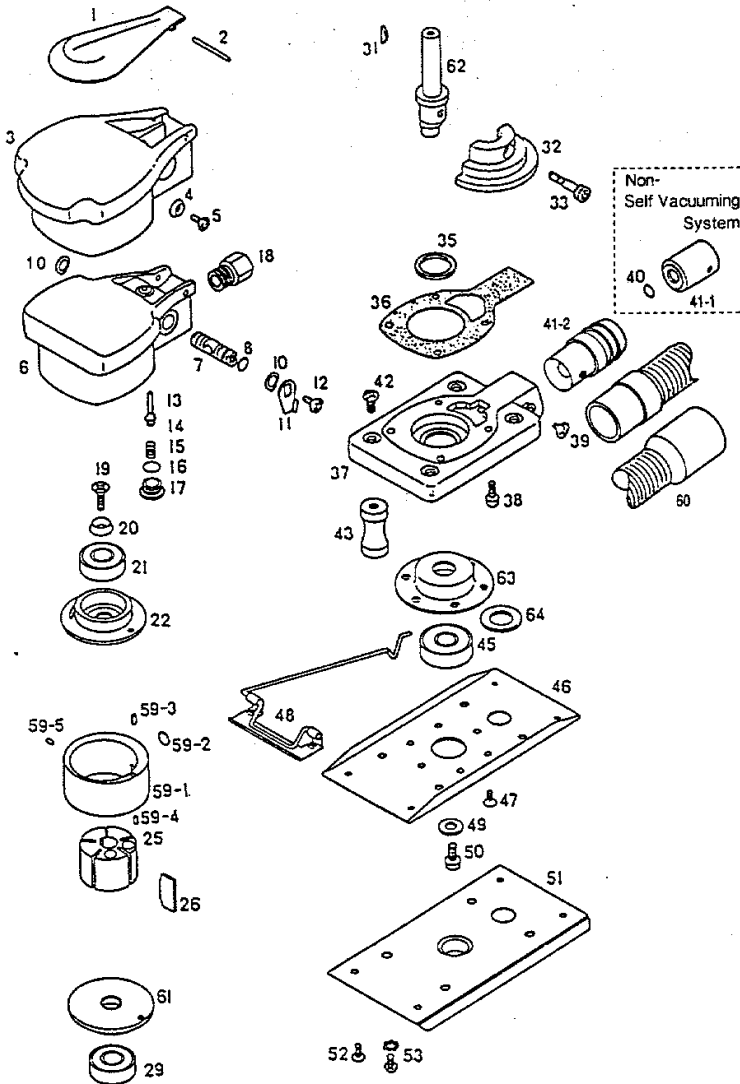


Order Code: KBE-270-2650K

## Spare Parts Breakdown



No.	Order Code	Description
1	KBE-298-1613S	Valve Lever
2	KBE-298-1616S	Spring Pin
3	KBE-298-1619S	Body Cover
4	KBE-298-1622S	Conical Washer
5	KBE-298-1625S	Screw(M3x8)
6	KBE-298-1628S	Body
7	KBE-298-1631S	Regulator
8	KBE-298-1634S	O-Ring
10	KBE-298-1637S	Retaining Ring
11	KBE-298-1640S	Regulator Lever
12	KBE-298-1643S	Screw(M4x6)
13	KBE-298-1646S	Valvr Pin
15	KBE-298-1649S	Valve Spring
16	KBE-298-1652S	O-Ring
17	KBE-298-1655S	Valve Cap
18	KBE-298-1658S	Ps-Adapter
19	KBE-298-1661S	Screw(M6x10)
20	KBE-298-1664S	Conical Washer
21	CES-298-6001B	Bearing
22	KBE-298-1667S	U-Bearing Case
25	KBE-298-1670S	Rotor
26	KBE-298-1673S	Rotor Blades (5)
29	CES-298-6001B	Bearing
31	KBE-298-1676S	H/R Key
32	KBE-298-1679S	L-Balancer
33	KBE-298-1682S	Cap Screw(M5x15)
35	KBE-298-1685S	Felt Ring
36	KBE-298-1688S	Body Packing
37	KBE-298-1691S	Base Plate
38	KBE-298-1694S	Cap Screw(M4x15)
39	KBE-298-1697S	Screw(M4x8)
40	KBE-298-1700S	O-Ring
41-1	KBE-298-1703S	Silencer
41-2	KBE-298-1706S	Ejector (Dust Free)
42	KBE-298-1709S	Screw(M5x10)
43	KBE-298-1712S	Support
45	CES-298-6201B	Bearing
46	KBE-298-1715S	Shoe
47	KBE-298-1718S	Screw(M4x6)
48	KBE-298-1721S	Clip Set
49	KBE-298-1724S	O5 Washer
50	KBE-298-1727S	Cap Screw(M5x10)
51-1	KBE-298-1730S	Pad
51-2	KBE-298-1733S	Pad(Dust Free)
52	KBE-298-1736S	Screw (M4x6)
53-1	KBE-298-1739S	Screw (M5x8)
53-2	KBE-298-1742S	Washer
59-3	KBE-298-1745S	Spring Pin
59-4	KBE-298-1748S	Spring Pin
59-1	KBE-298-1751S	Cylinder
59-2	KBE-298-1754S	O-Ring
59-5	KBE-298-1757S	Spring Pin
60	KBE-298-1760S	Dust Hose Set
61	KBE-298-1763S	L-Bearing Case
62	KBE-298-1766S	Rotor Shaft
63	KBE-298-1769S	Spc-Bearing Case.
64	KBE-298-1772S	Felt Ring
65	KBE-280-0058A	Dust Bag

## OIL DAILY

Distributed by:  
**KENNEDY TOOLS**  
Wigston Works, Leicester, England.  
ISO 9002 REGISTERED COMPANY  
©The Kennedy Group Ltd. March 1997

For Abrasives See Operators Manual