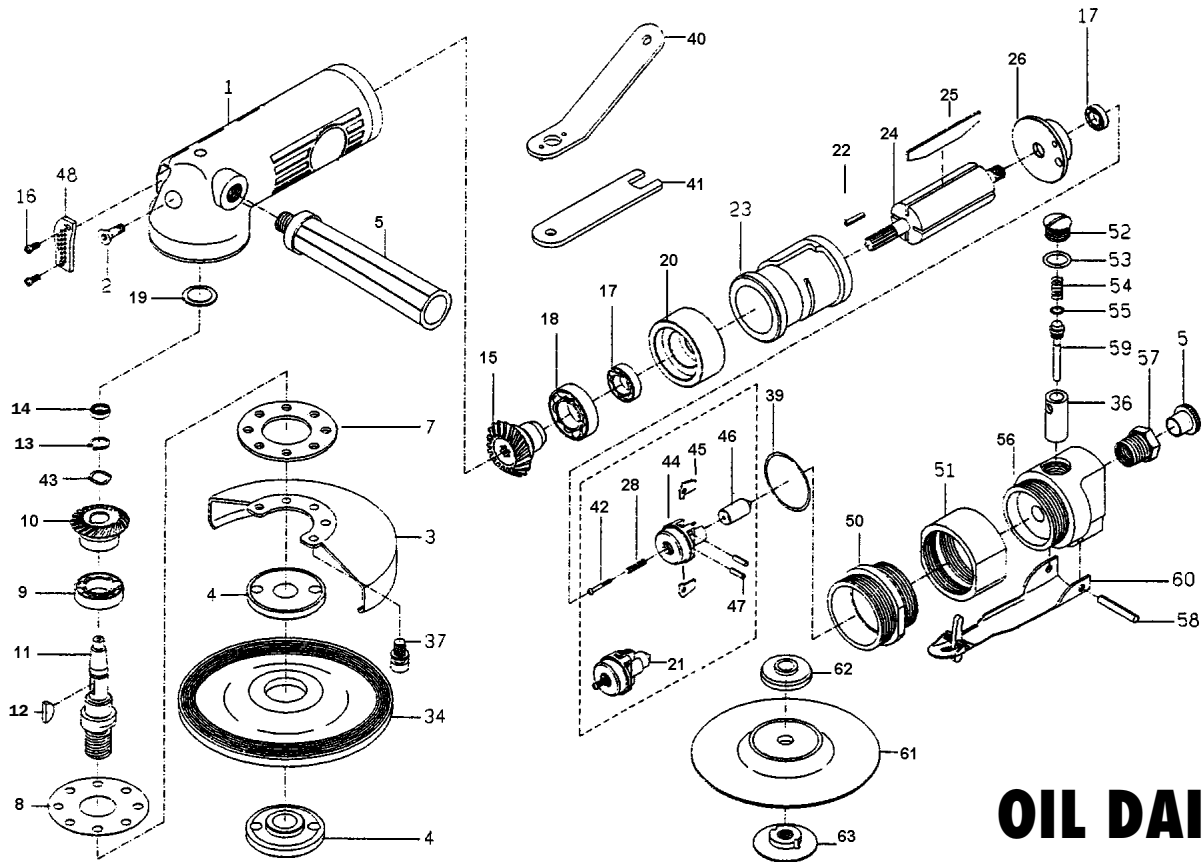


# GA1211L 115MM ANGLE GRINDER

Order Code: KBE-270-2060Q

## Spare Parts Breakdown



**OIL DAILY**

No.	Order Code	Description	No.	Order Code	Description	No.	Order Code	Description
1	KBE-298-2720S	Body	20	KBE-298-2762S	Front Plate	46	KBE-298-2816S	Plunger
2	KBE-298-2723S	Screw	21	KBE-298-2765S	Governor Asembly	47	KBE-298-2819S	Spring Pin
3	KBE-298-2726S	Disc Cover	22	KBE-298-2768S	Spring Pin	48	KBE-298-2822S	Exhaust Cover
4	KBE-298-2729S	Disc Nut	23	KBE-298-2771S	Cylinder	50	KBE-298-2825S	Lock Ring
5	KBE-298-2732S	Plastic Cover	24	KBE-298-2774S	Rotor	51	KBE-298-2828S	Coupling Nut
6	KBE-298-2735S	Grip	25	KBE-298-2777S	Rotor Blade	52	KBE-298-2831S	Valve Screw
7	KBE-298-2738S	Retainer	26	KBE-298-2780S	Rear Plate	53	KBE-298-2834S	O-Ring
8	KBE-298-2741S	Gasket	28	KBE-298-2783S	Spring	54	KBE-298-2837S	Valve Spring
9	CES-298-6205F	Ball Bearing	34	Grinding Disc See Operators Manual		55	KBE-298-2840S	O-Ring
10	KBE-298-2744S	Bevel Gear	36	KBE-298-2789S	Valve Bshing	56	KBE-298-2843S	Valve Housing
11	KBE-298-2864S	Gear Shaft	37	KBE-298-2792S	Cap Screw	57	KBE-298-2846S	Hose Adapter
12	KBE-298-2747S	Key37	39	KBE-298-2795S	O-Ring	58	KBE-298-2849S	Spring Pin
13	KBE-298-2750S	Retaining Ring	40	KBE-298-2798S	Disc Spanner	59	KBE-298-2852S	Valve Pin
14	CES-298-0627B	Ball Bearing	41	KBE-298-2801S	Stop Spanner	60	KBE-298-2855S	Safety Throttle Lever
15	KBE-298-2753S	Pinion Gear	42	KBE-298-2804S	Adjust Screw	61	KEN-280-2110K	Pad For 4½" Discs
16	KBE-298-2756S	Screw	43	KBE-298-2807S	Wave Washer	62	KBE-298-2858S	Disc Nut
17	CES-298-0609B	Ball Bearing	44	KBE-298-2810S	Governor	63	KBE-298-2861S	Disc Receiver
18	CES-298-6203D	Ball Bearing	45	KBE-298-2813S	Pendulum			
19	KBE-298-2759S	Spacer.						

Distributed by:

**KENNEDY TOOLS**

Wigston Works, Leicester, England.

ISO 9002 REGISTERED COMPANY

©The Kennedy Group Ltd. March 1997