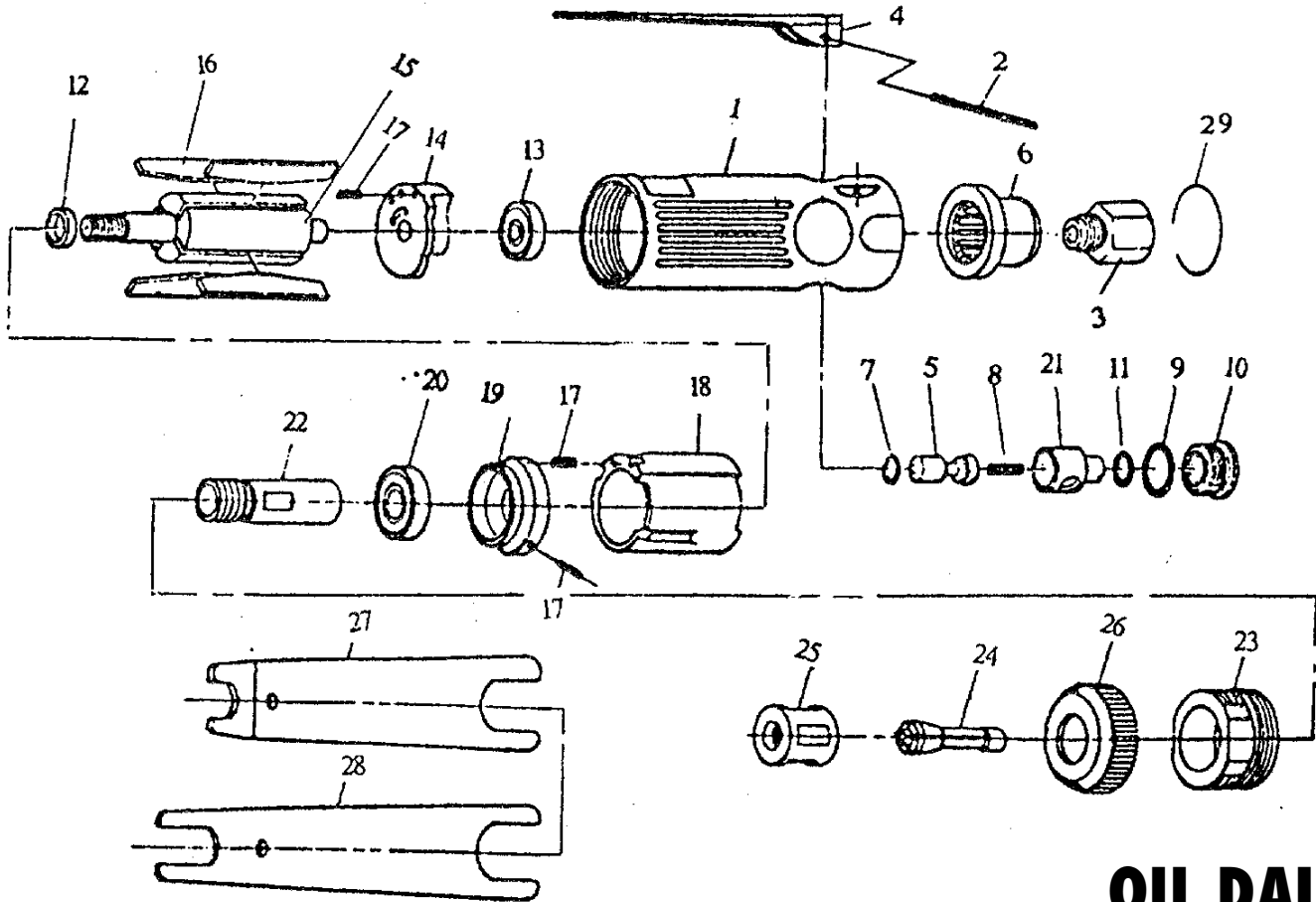


Spare Parts Breakdown



OIL DAILY

No.	Order Code	Description
1	KBE-298-1780S	Motor Housing
2	KBE-298-1783S	Lever Pin
3	KBE-298-1786S	Air Inlet
4	KBE-298-1789S	Safety Throttle Lever
5	KBE-298-1792S	Valve Stem
6	KBE-298-1795S	Exhaust Deflector
7	KBE-298-1934S	O-Ring
8	KBE-298-1801S	Valve Spring
9	KBE-298-1967S	O-Ring
10	KBE-298-1807S	Throttle Valve Plug
11	KBE-298-1810S	O-Ring
12	KBE-298-1813S	Rotor Bushing
13	CES-298-0627B	Ball Bearing
14	KBE-298-1819S	Rear End Plate
15	KBE-298-1822S	Rotor
16	KBE-298-0040S	Rotor Blades (4)
17	KBE-298-1955S	Pin (3)
18	KBE-298-1958S	Cylinder
19	KBE-298-1834S	Front End Plate

No.	Order Code	Description
20	CES-298-6001B	Ball Bearing
21	KBE-298-1840S	Air Regulator
22	KBE-298-1843S	Spindle
23	KBE-298-1846S	Retainer
24	KBE-280-0070A	Collet 6mm
25	KBE-280-0064A	Collet Nut
26	KBE-298-1855S	Housing Cap
27	KBE-298-1858S	Angle End Spanner
28	KBE-280-0055A	Double End Spanner
29	KBE-298-1864S	Retainer Ring
30	KBE-298-1867S	Spring
31	KBE-298-1870S	Safety Bar
32	KBE-298-1873S	Spring Pin
Optional Accessories Available		
	KBE-280-0073A	Collet 3mm
	KBE-280-0076A	Collet 1/4"
	KBE-280-0079A	Collet 1/8"

Distributed by:
KENNEDY TOOLS
 Wigston Works, Leicester, England.
 ISO 9002 REGISTERED COMPANY
 ©The Kennedy Group Ltd. October 1999