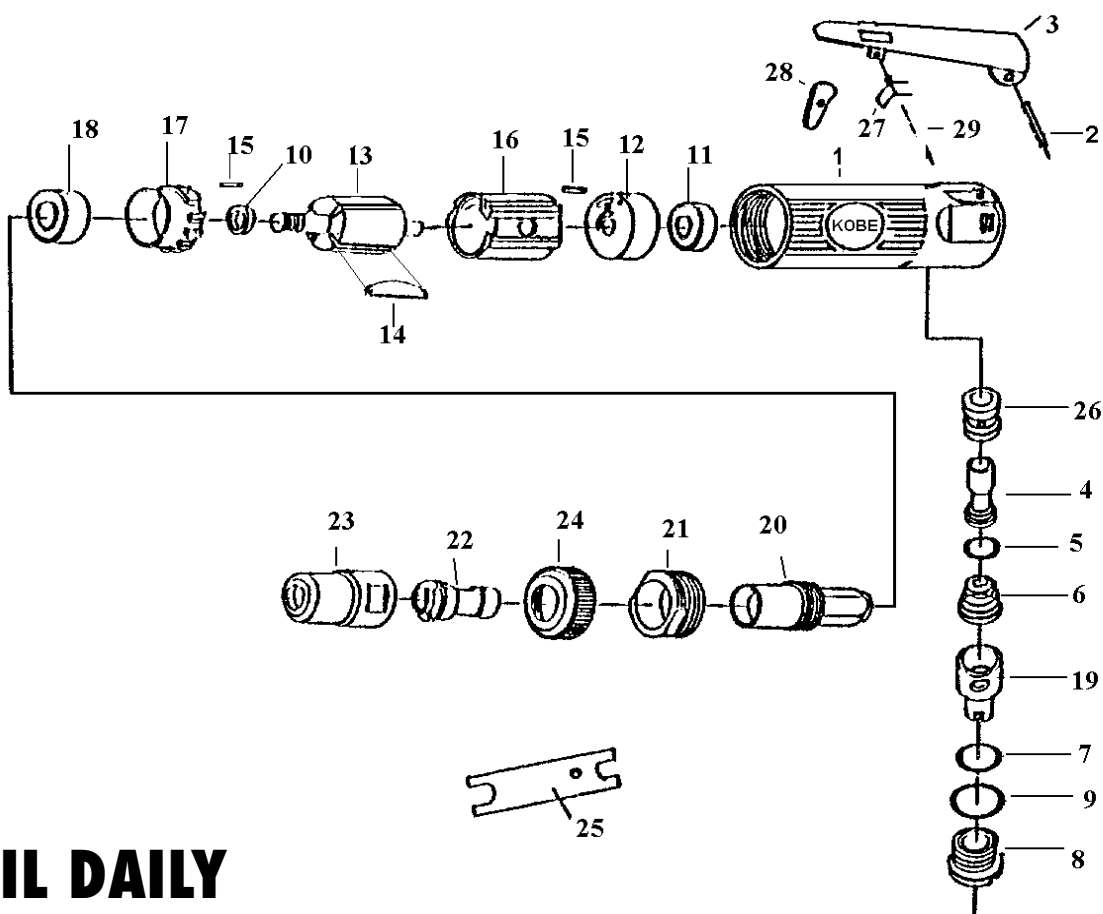


GD2806L 6MM HIGH SPEED MINI DIE GRINDER

Order Code: KBE-270-2035M

Spare Parts Breakdown



OIL DAILY

No.	Order Code	Description
1	KBE-298-1996S	Motor Housing
2	KBE-298-1999S	Pin
3	KBE-298-1789S	Safety Throttle Lever
4	KBE-298-2005S	Throttle Valve
5	KBE-298-2008S	O-Ring
6	KBE-298-2011S	Valve Spring
7	KBE-298-2014S	O-Ring
8	KBE-298-2017S	Valve Screw
9	KBE-298-2020S	O-Ring
10	KBE-298-2023S	Spacer
11	CES-298-0696P	Ball Bearing (2)
12	KBE-298-2029S	Rear End Plate
13	KBE-298-1918S	Rotor
14	KBE-298-1921S	Rotor Blades (4)
15	KBE-298-2038S	Pin (2)
16	KBE-298-1924S	Cylinder
17	KBE-298-2044S	Front End Plate
18	CES-298-0609B	Ball Bearing

No.	Order Code	Description
19	KBE-298-2050S	Air Regulator
20	KBE-298-2053S	Spindle Chuck
21	KBE-298-2056S	Retainer
22	KBE-280-0070A	Collet 6mm
23	KBE-280-0067A	Collet Nut
24	KBE-298-2065S	Housing Cap
25	KBE-280-0085A	Double End Spanner (2)
26	KBE-298-2071S	Throttle Valve
27	KBE-298-1867S	Spring
28	KBE-298-1870S	Safety Bar
29	KBE-298-1873S	Spring Pin
Optional Accessories Available		
	KBE-280-0073A	Collet 3mm
	KBE-280-0076A	Collet 1/4"
	KBE-280-0079A	Collet 1/8"

Distributed by:
KENNEDY TOOLS
Wigston Works, Leicester, England.
ISO 9002 REGISTERED COMPANY
©The Kennedy Group Ltd. March 1997