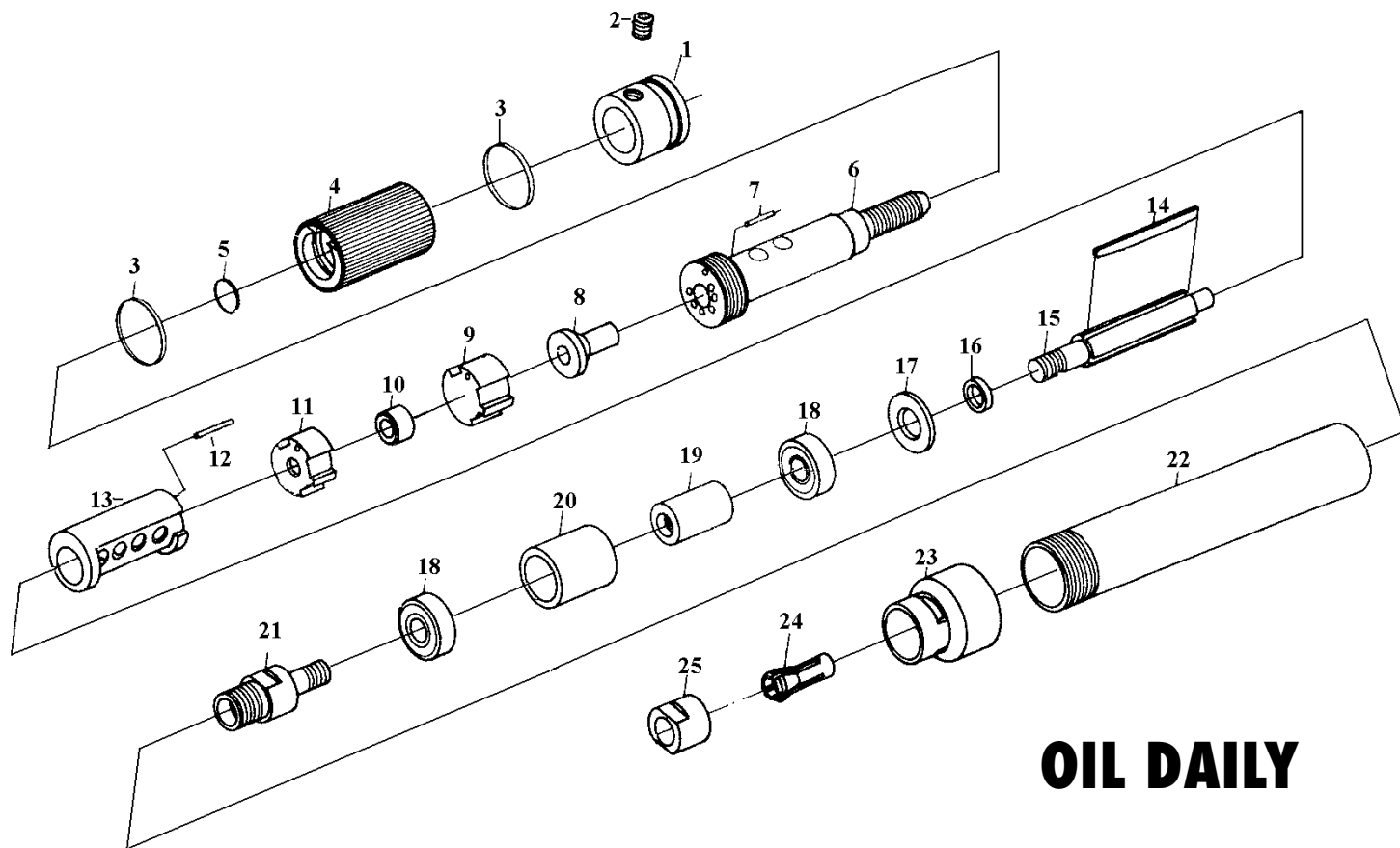


Order Code: KBE-270-2543K

## Spare Parts Breakdown



## OIL DAILY

No.	Order Code	Description
1	KBE-298-0037F	Rear End Holder
2	KBE-298-0001F	Screw
3	KBE-298-0004F	O-Ring
4	KBE-298-0055F	Sliding Knob
5	KBE-298-0007F	O-Ring
6	KBE-298-0067F	Hose Plug
7	KBE-298-0010F	Pin
8	KBE-298-0016F	Plug
9	KBE-298-0034F	Intake Plate
10	KBE-298-0076F	Ball Bearing
11	KBE-298-0028F	Bearing Plate
12	KBE-298-0013F	Pin
13	KBE-298-0073F	Cylinder
14	KBE-298-0019F	Rotor Blade (3)
15	KBE-298-0070F	Rotor
16	KBE-298-0025F	Spacer
17	KBE-298-0022F	Lateral Disc
18	KBE-298-0079F	Ball Bearing

No.	Order No.	Description
19	KBE-298-0046F	Inner Bearing Retainer Bushing
20	KBE-298-0043F	Outer Bearing Retainer Bushing
21	KBE-298-0049F	Collet Foundation
22	KBE-298-0052F	Sleeve
23	KBE-298-0040F	Front Cover
24	KBE-280-0091A	Collet 3mm
25	KBE-280-0097A	Clamping Nut
<b>Optional Accessories Available</b>		
26	KBE-280-0094A	Collet 3/32"
27	KBE-280-0088A	Collet 1/8"
	KBE-298-0082F	Exhaust Stack (Not Shown)
	KBE-298-0085F	Hose Screw (Not Shown)
	KBE-298-0088F	Air Hose (Not Shown)
	KBE-298-0091F	Connecting Screw (Not Shown)
	KBE-298-0094F	Quick Coupler (Not Shown)
	KBE-298-0097F	Single Openend Spanner (Not Shown)

Distributed by:  
**KENNEDY TOOLS**  
Wigston Works, Leicester, England.  
ISO 9002 REGISTERED COMPANY  
©The Kennedy Group Ltd. March 1997