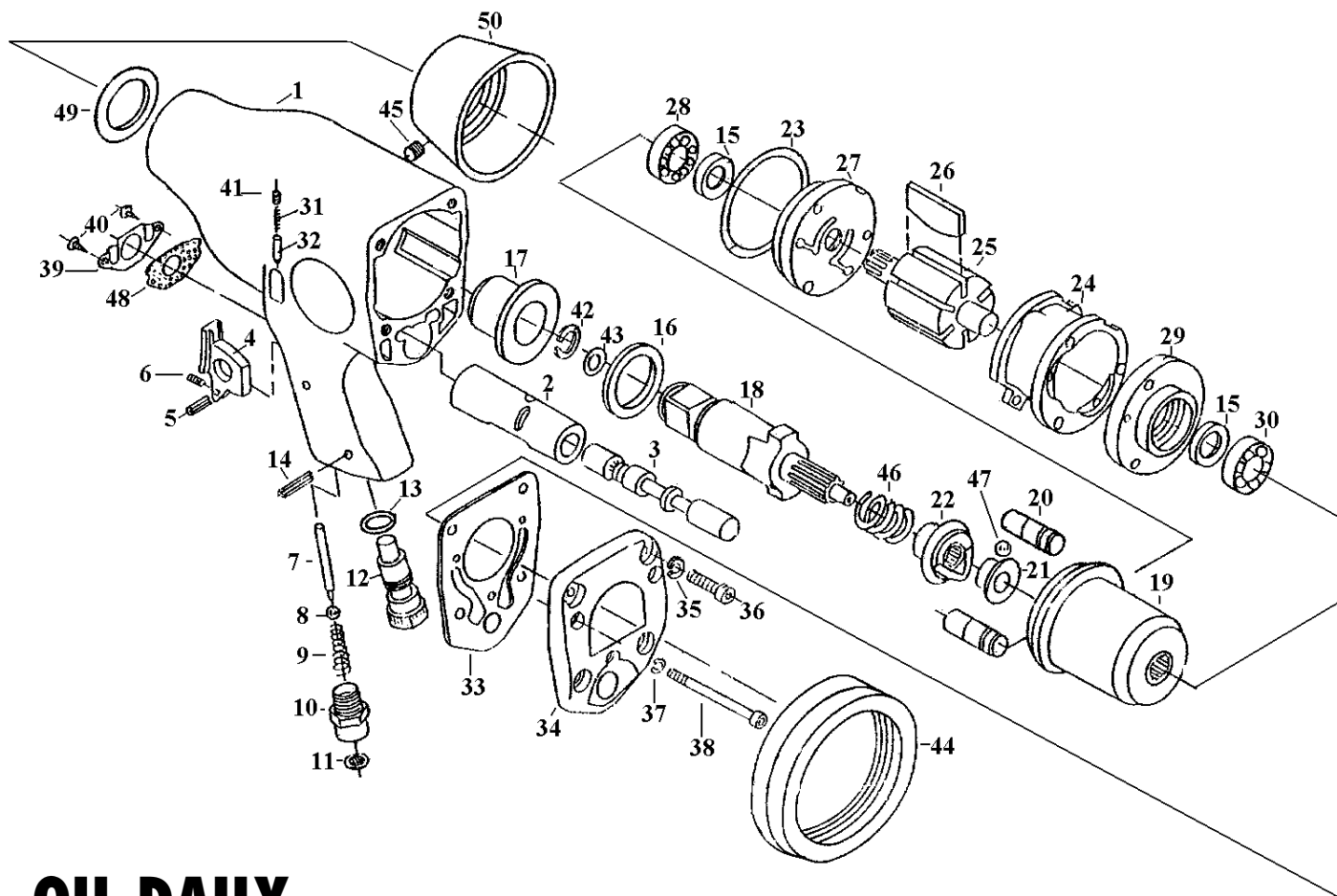


Order Code: KBE-270-2325S

## Spare Parts Breakdown



## OIL DAILY

No.	Order Code	Description	No.	Order Code	Description	No.	Order Code	Description
1	KBE-298-0046Y	Housing	18	KBE-298-0085Y	Anvil 3/4"	35	KBE-298-0133Y	Washer
2	KBE-298-0049Y	Valve Sleeve	19	KBE-298-0088Y	Hammer Cage	36	KBE-298-0136Y	Screw
3	KBE-298-0052Y	Reverse Valve	20	KBE-298-0091Y	Hammer Bar	37	KBE-298-0022Y	Washer
4	KBE-298-0055Y	Trigger	21	KBE-298-0094Y	Drive Cam Foundation	38	KBE-298-0139Y	Screw
5	KBE-298-0013Y	Throttle Spring Pin	22	KBE-298-0097Y	Drive Cam	39	KBE-298-0025Y	Exhaust Deflector
6	KBE-298-0292Y	Screw	23	KBE-298-0100Y	O-Ring	40	KBE-298-0028Y	Screw
7	KBE-298-0058Y	Valve Stem	24	KBE-298-0103Y	Cylinder	41	KBE-298-0031Y	Screw
8	KBE-298-0061Y	Ball Valve	25	KBE-298-0106Y	Rotor	42	KBE-298-0142Y	Anvil Collar
9	KBE-298-0004Y	Spring	26	KBE-298-0109Y	Rotor Blade (6)	43	KBE-298-0145Y	O-Ring
10	KBE-298-0064Y	Hose Adaptor	27	KBE-298-0112Y	Front End Plate	44	KBE-298-0148Y	Protecting Rubber
11	KBE-298-0007Y	Screen	28	CES-298-6005F	Bearing	45	KBE-298-0151Y	Screw
12	KBE-298-0067Y	Air Regulator	29	KBE-298-0118Y	Rear End Plate	46	KBE-298-0154Y	Spring
13	KBE-298-0070Y	O-Ring	30	CES-298-6005F	Bearing	47	KBE-298-0157Y	Steel Ball
14	KBE-298-0073Y	Pin	31	KBE-298-0016Y	Spring	48	KBE-298-0160Y	Muffler
15	KBE-298-0076Y	Oil Seal	32	KBE-298-0124Y	Pin	49	KBE-298-0163Y	Oil Seal
16	KBE-298-0079Y	Spacer	33	KBE-298-0127Y	Rear Gasket	50	KBE-298-0166Y	Protecting Rubber
17	KBE-298-0082Y	Anvil Bushing	34	KBE-298-0130Y	Rear Cover			

Distributed by:

**KENNEDY TOOLS**

Wigston Works, Leicester, England.

ISO 9002 REGISTERED COMPANY

©The Kennedy Group Ltd. March 1997