

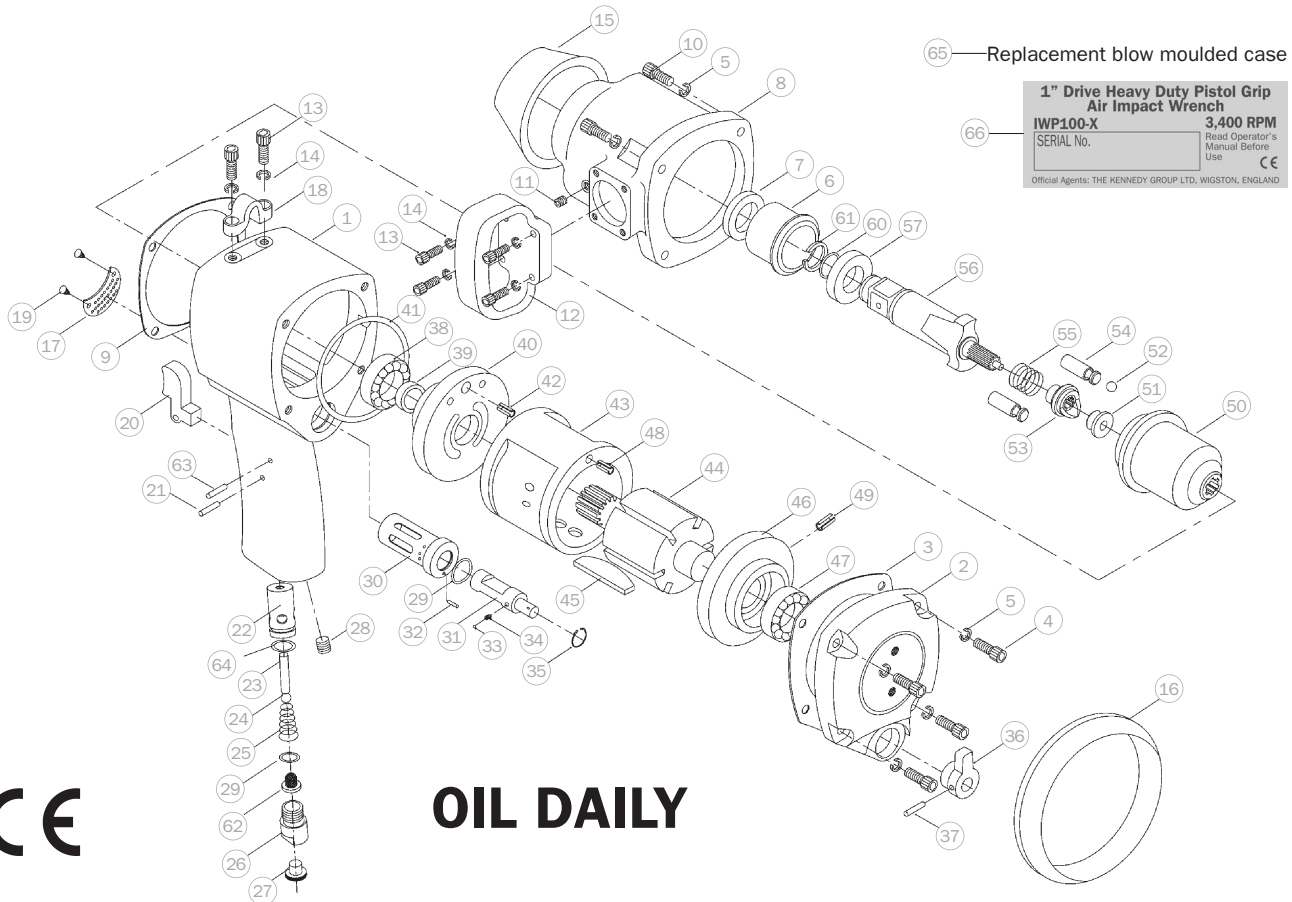


# SPARE PARTS BREAKDOWN



## 1" DRIVE HEAVY DUTY PISTOL GRIP AIR IMPACT WRENCH

**MODEL IWP100X ORDER CODE KBE-270-1620A**



**OIL DAILY**

No.	Order Code	Description	No.	Order Code	Description
1	...KBE-298-7060P	...Motor housing	34	...KBE-298-7031P	... Spring
2	...KBE-298-7061P	...Rear cover	35	...KBE-298-7094P	...Circlip (Ø22.5)
3	...KBE-298-7062P	...Rear gasket	36	...KBE-298-7095P	...Direction/Power lever
4	...KBE-298-7003P	...Skt cap screw (M8 L25)	37	...KBE-298-7096P	...Spring pin (Ø3 x L24)
5	...KBE-298-7064P	...Spring washer	38	...KBE-298-7097P	...Ball bearing (S:6005)
6	...KBE-298-7065P	...Anvil bushing	39	...KBE-298-7098P	...Oil seal (d24.7-D35-L4.6)
7	...KBE-298-7066P	...Oil seal (d40.7-D50-L7)	40	...KBE-298-7099P	...Front end plate
8	...KBE-298-7067P	...Clutch housing	41	...KBE-298-7100P	...“O” Ring (d70-Ø4)
9	...KBE-298-7068P	...Front gasket	42	...KBE-298-7037P	...Spring pin (Ø6 x L16)
10	...KBE-298-7009P	...Skt cap screw (M8 L30)	43	...KBE-298-7102P	...Cylinder
11	...KBE-298-7070P	...Clamp screw (PT <sup>1</sup> / <sub>8</sub> ” x L8)	44	...KBE-298-7103P	...Rotor
12	...KBE-298-7071P	...Side handle	45	...KBE-298-7104P	...Rotor blade
13	...KBE-298-7012P	...Skt cap screw (M6 L16)	46	...KBE-298-7105P	...Rear end pPlate
14	...KBE-298-7073P	...Spring washer	47	...KBE-298-7042P	...Ball bearing (S:6204)
15	...KBE-298-7074P	...Protecting rubber	48	...KBE-298-7043P	...Spring pin (Ø6-L18)
16	...KBE-298-7075P	...Protecting rubber	49	...KBE-298-7044P	...Spring pin (Ø3-L6)
17	...KBE-298-7076P	...Muffle plate	50	...KBE-298-7109P	...Hammer cage
18	...KBE-298-7077P	...Hanger	51	...KBE-298-7110P	...Drive cam base
19	...KBE-298-7078P	...Phillips csk. screw (M3 x L12)	52	...KBE-298-7111P	...Steel ball (Ø <sup>1</sup> / <sub>2</sub> ”)
20	...KBE-298-7079P	...Trigger	53	...KBE-298-7112P	...Drive cam
21	...KBE-298-7080P	...Spring pin (Ø3 x L22)	54	...KBE-298-7113P	...Hammer bar
22	...KBE-298-7081P	...Throttle bushing	55	...KBE-298-7114P	...Spring
23	...KBE-298-7082P	...Throttle pin (Ø4-L27.8)	56	...KBE-298-7115P	...Anvil (165mm)
24	...KBE-298-7030P	...Steel ball (Ø <sup>1</sup> / <sub>8</sub> ”)	57	...KBE-298-7118P	...Anvil washer
25	...KBE-298-7084P	...Spring	60	...KBE-298-7052P	...“O” Ring (d17.6-Ø2.8)
26	...KBE-298-7085P	...Hose fitting	61	...KBE-298-7120P	...Anvil collar
27	...KBE-298-7086P	...Dust cover	62	...KBE-298-7121P	...Screen
28	...KBE-298-7087P	...Clamp screw (PT <sup>1</sup> / <sub>4</sub> ” x L11)	63	...KBE-298-7122P	...Spring pin (Ø3-L18)
29	...KBE-298-7028P	...“O” Ring (d15.8Ø2.4(P16)	64	...KBE-298-7123P	...“O” Ring (d10.7-Ø1.5)
30	...KBE-298-7089P	...Valve sleeve	65	...KBE-298-7125P	...Blow moulded case
31	...KBE-298-7090P	...Reverse valve	66	...KBE-298-7126P	...Specification label
32	...KBE-298-7029P	...Pin (Ø2-L9.8)			
33	...KBE-298-7030P	...Steel ball (Ø <sup>1</sup> / <sub>8</sub> ”)			

**NOTE:** 280mm (11”) & 330mm (13”) Anvils available, price and fitting available upon request.