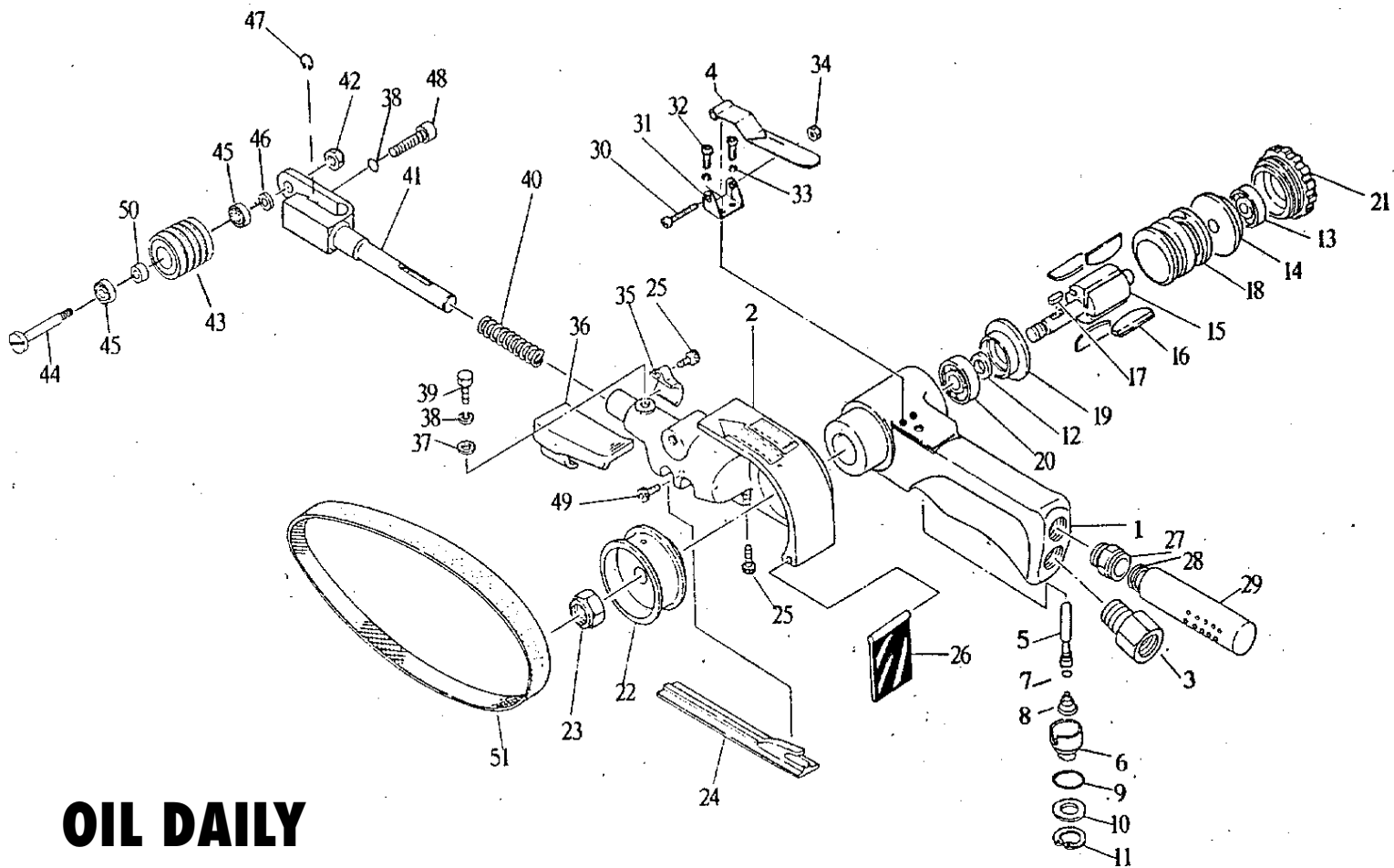


# MBS1620L 20MM MINI BELT SANDER

Order Code: KBE-270-2850K

## Spare Parts Breakdown



**OIL DAILY**

No.	Order Code	Description	No.	Order Code	Description	No.	Order Code	Description
1	KBE-298-1367S	Housing	19	KBE-298-1391S	Front End Plate	37	KBE-298-1442S	Washer
2	KBE-298-1370S	Guard Sub	20	CES-298-6001B	Ball Bearing	38	KBE-298-1445S	Spring Washer (2)
3	KBE-298-1175S	Air Inlet	21	KBE-298-1394S	Cap	39	KBE-298-1448S	Screw
4	KBE-298-1178S	Lever	22	KBE-298-1397S	Drive Pulley	40	KBE-298-1451S	Spring
5	KBE-298-1181S	Valve Stem	23	KBE-298-1400S	Hexagon Nut	41	KBE-298-1454S	Arm
6	KBE-298-1184S	Adjust Valve	24	KBE-298-1403S	Shoe	42	KBE-298-1457S	Nut
7	KBE-298-1187S	O-Ring	25	KBE-298-1406S	Hexagon Socket Head Bolt (2)	43	KBE-298-1460S	Idle Pulley
8	KBE-298-1190S	Spring	26	KBE-298-1409S	Dust Cover	44	KBE-298-1463S	Shaft
9	KBE-298-1193S	O-Ring	27	KBE-298-1412S	Nipple	45	CES-298-6135M	Ball Bearing (2)
10	KBE-298-1196S	Spacer	28	KBE-298-1415S	Spring	46	KBE-298-1466S	Spacer
11	KBE-298-1199S	Retaining Ring	29	KBE-298-1418S	Silencer	47	KBE-298-1469S	Retaining Ring
12	KBE-298-1373S	Spacer	30	KBE-298-1421S	Pan Head Machine Screw	48	KBE-298-1472S	Bolt
13	CES-298-0609B	Ball Bearing	31	KBE-298-1424S	Lever Support	49	KBE-298-1475S	Bolt
14	KBE-298-1376S	Rear End Plate	32	KBE-298-1427S	Pan Head Machine Screw	50	KBE-298-1478S	Spacer
15	KBE-298-1379S	Rotor	33	KBE-298-1430S	Spring Washer	51	Replacement Belts	See Operators Manual
16	KBE-298-1382S	Rotor Blade (4)	34	KBE-298-1433S	Hexagon Nut	52	KBE-298-1481S	Spring
17	KBE-298-1385S	Sunk Key	35	KBE-298-1436S	Bushing	53	KBE-298-1484S	Safety Bar
18	KBE-298-1388S	Cylinder	36	KBE-298-1439S	Finger Pad	54	KBE-298-1487S	Spring Pin

Distributed by:

**KENNEDY TOOLS**

Wigston Works, Leicester, England.

ISO 9002 REGISTERED COMPANY

©The Kennedy Group Ltd. March 1997