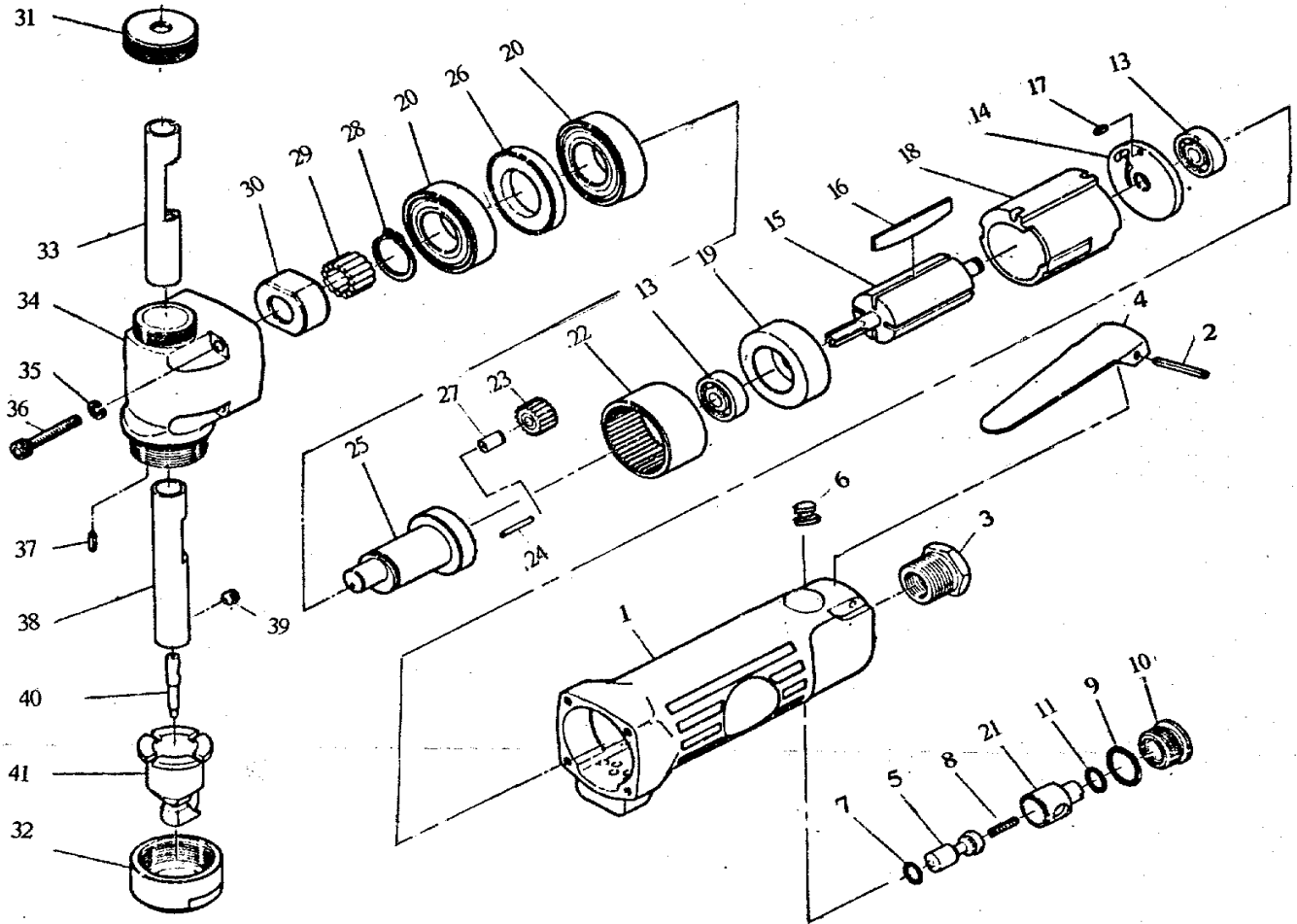


Order Code: KBE-270-3400K

Spare Parts Breakdown



OIL DAILY

No.	Order Code	Description	No.	Order Code	Description	No.	Order Code	Description
1	KBE-298-0533S	Motor Housing	16	KBE-298-0040S	Rotor Vanes (4)	30	KBE-298-0611S	Cam
2	KBE-298-0536S	Lever Pin	17	KBE-298-0575S	Pin Requires (2)	31	KBE-298-0614S	Head Cap
3	KBE-298-0539S	Inlet Bushing	18	KBE-298-0578S	Cylinder	32	KBE-298-0617S	Lock Nut
4	KBE-298-0542S	Safety Throttle Lever	19	KBE-298-0581S	Front End Plate	33	KBE-298-0620S	Guide Bushing
5	KBE-298-0545S	Valve Stem	20	CES-298-6007H	Ball Bearing (2)	34	KBE-298-0623S	Head
6	KBE-298-0548S	Anvil Bushing	21	KBE-298-0584S	Air Regulator	35	KBE-298-0626S	Washer (4)
7	KBE-298-0551S	O-Ring	22	KBE-298-0587S	Internal Gear	36	KBE-298-0629S	Screw (4)
8	KBE-298-0554S	Valve Spring	23	KBE-298-0590S	Planet Gears (3)	37	KBE-298-0632S	Pin
9	KBE-298-0557S	O-Ring	24	KBE-298-0593S	Roll Pin (3)	38	KBE-298-5001A	Slide Spindle
10	KBE-298-0560S	Throttle Valve Plug	25	KBE-298-0596S	Crank Shaft	39	KBE-298-5002B	Set Screw
11	KBE-298-0563S	O-Ring	26	KBE-298-0599S	Spacer	40	KBE-298-5003C	Nibbler Punch
13	CES-298-0627B	Bearing (2)	27	KBE-298-0602S	Bushing (3)	41	KBE-298-5004D	Nibbler Die
14	KBE-298-0566S	Rear End Plate	28	KBE-298-0605S	Retaining Ring			
15	KBE-298-0569S	Rotor	29	KBE-298-0608S	Needle Roller (13)			

Distributed by:

KENNEDY TOOLS

Wigston Works, Leicester, England.

ISO 9002 REGISTERED COMPANY

©The Kennedy Group Ltd. November 1997