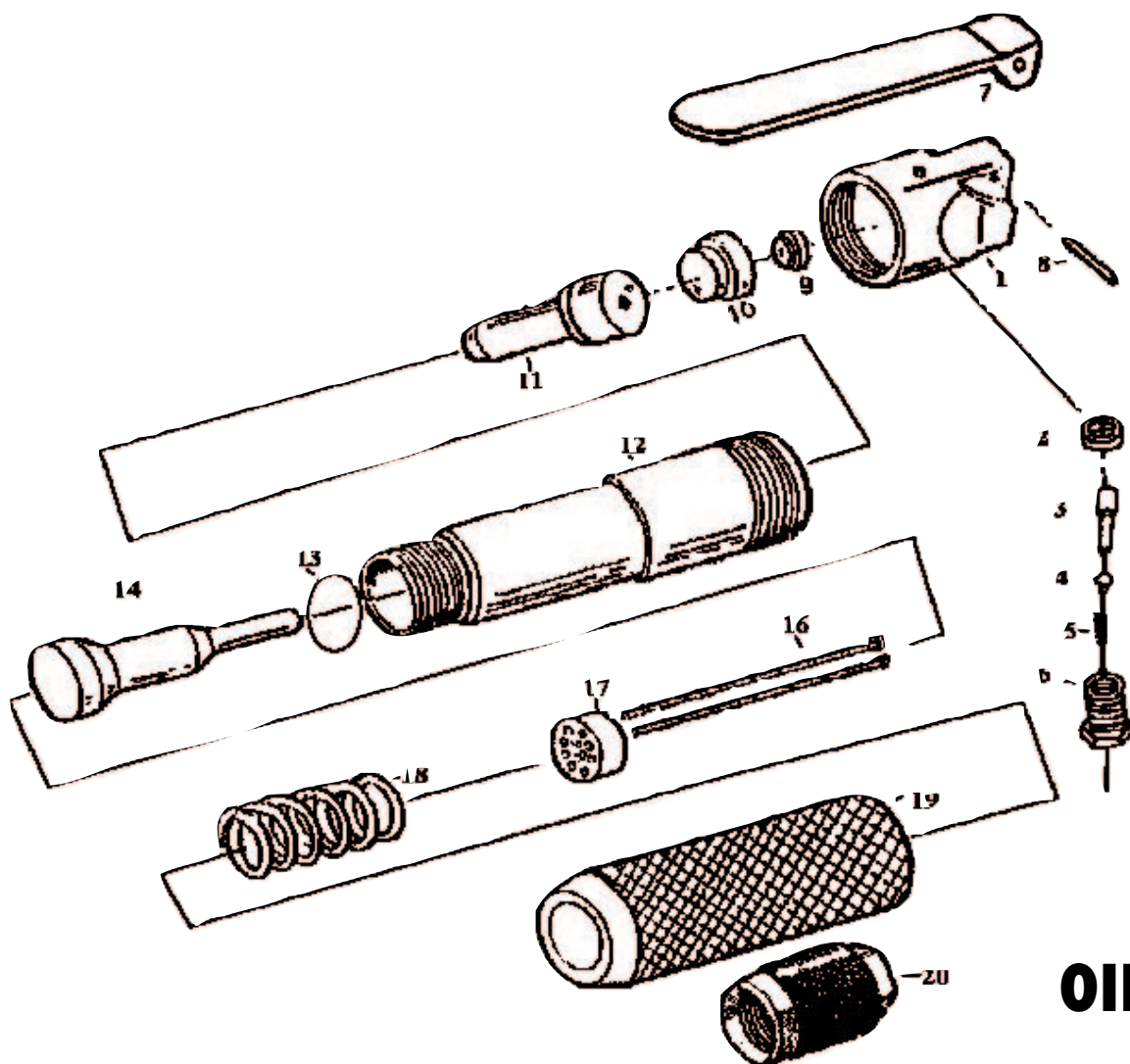


Order Code: KBE-270-3300K

Spare Parts Breakdown



OIL DAILY

No.	Order Code	Description
1	KBE-298-0283S	Back Housing
2	KBE-298-0287S	Plug Screw
3	KBE-298-0290S	Throttle Valve
4	KBE-298-0293S	Throttle Valve
5	KBE-298-0296S	Throttle Spring
6	KBE-298-0299S	Hose Adapter
7	KBE-298-0302S	Lever
8	KBE-298-0305S	Lever Pin
9	KBE-298-0308S	Rubber Cushion
10	KBE-298-0311S	Valve Block

No.	Order Code	Description
11	KBE-298-0314S	Piston
12	KBE-298-0317S	Barrel Sleeve
13	KBE-298-0320S	O-Ring
14	KBE-298-0323S	Needle Driver
16	KBE-280-0019A	Needles Set (12)
17	KBE-298-0326S	Needle Holder
18	KBE-298-0329S	Spring
19	KBE-298-0332S	Needle Tube
20	KBE-298-0335S	Nut

Distributed by:

KENNEDY TOOLS

Wigston Works, Leicester, England.

ISO 9002 REGISTERED COMPANY

©The Kennedy Group Ltd. March 1997