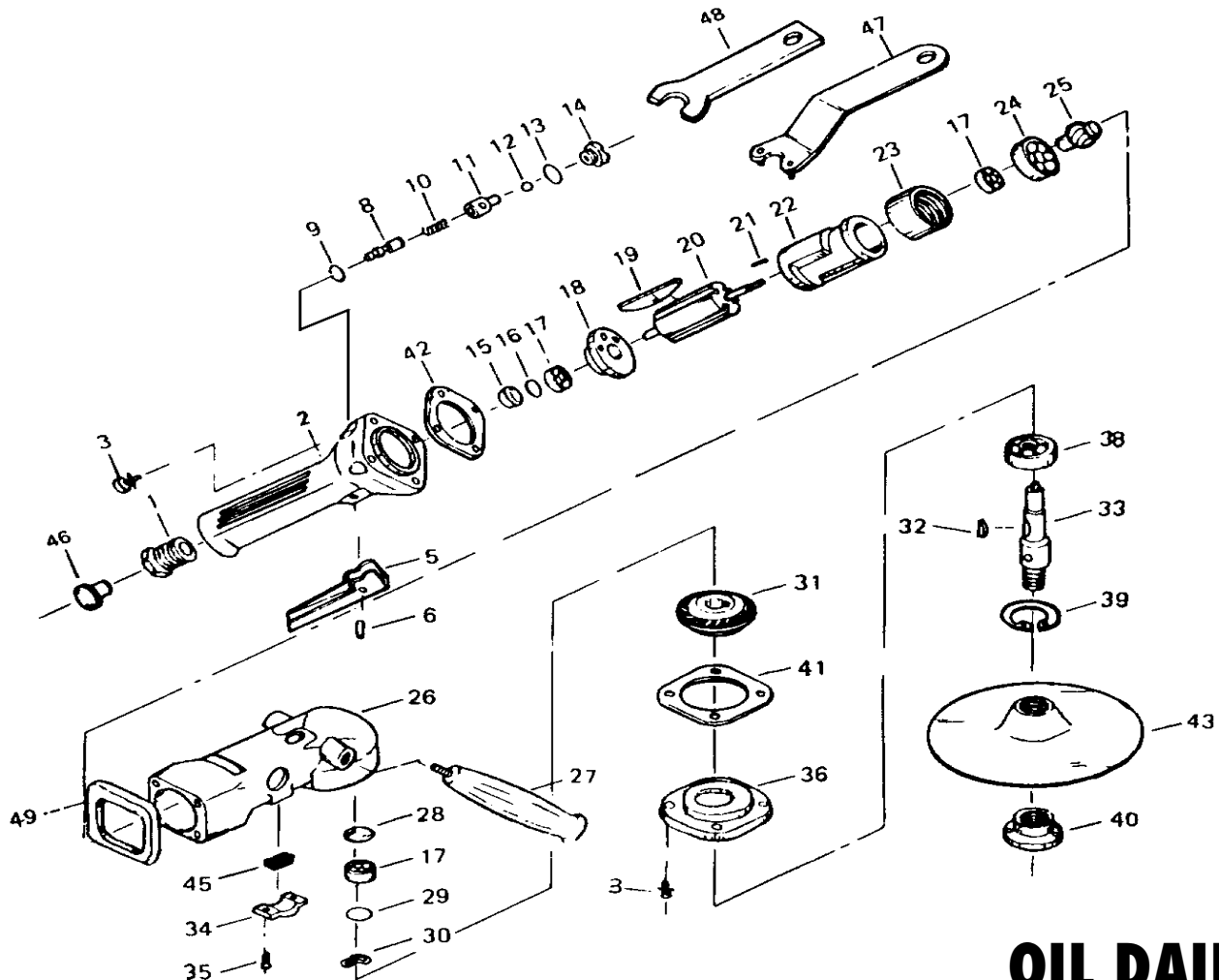


Order Code: KBE-270-3600K

Spare Parts Breakdown



OIL DAILY

No.	Order Code	Description	No.	Order Code	Description	No.	Order Code	Description
1	KBE-298-2390S	Hose Adaptor	19	KBE-298-2435S	Rotor Blades	35	KBE-298-2489S	Screw
2	KBE-298-2393S	Valve Body	20	KBE-298-2441S	Rotor	36	KBE-298-2492S	Housing Cap
3	KBE-298-2396S	Cap Screw	21	KBE-298-2444S	Pin	38	CES-298-6206G	Ball Bearing
5	KBE-298-2399S	Lever	22	KBE-298-2447S	Cylinder	39	KBE-298-2543S	Retaining Ring
6	KBE-298-2402S	Spring Pin	23	KBE-298-2450S	Front Plate	40	KBE-298-2546S	Pad Nut
8	KBE-298-2405S	Valve Stem	24	CES-298-6203D	Ball Bearing	41	KBE-298-2549S	Gasket
9	KBE-298-2408S	O-Ring	25	KBE-298-2456S	Pinion Gear	42	KBE-298-2552S	Gasket
10	KBE-298-2411S	Spring	26	KBE-298-2459S	Motor Housing	43	KEN-280-2310K	Sanding Pad
11	KBE-298-2414S	Air Regulator	27	KBE-298-2462S	Dead Handle	45	KBE-298-2558S	Exhaust Muffler
12	KBE-298-2417S	O-Ring	28	KBE-298-2465S	Spacer	46	KBE-298-2561S	Plastic Cover
13	KBE-298-2420S	O-Ring	29	KBE-298-2468S	Retaining Ring	47	KBE-298-2564S	Disc Spanner
14	KBE-298-2423S	Valve Screw	30	KBE-298-2471S	Wave Washer	48	KBE-298-2567S	Stop Spanner
15	KBE-298-2426S	Bearing Rubber Cap	31	KBE-298-2477S	Bevel Gear	49	KBE-298-2570S	Rubber
16	KBE-298-2429S	Retaining Ring	32	KBE-298-2480S	Key			
17	CES-298-0609B	Ball Bearing	33	KBE-298-2483S	Gear Shaft			
18	KBE-298-2432S	Rear Plate	34	KBE-298-2486S	Exhaust Deflector			

Distributed by:

KENNEDY TOOLS

Wigston Works, Leicester, England.

ISO 9002 REGISTERED COMPANY

©The Kennedy Group Ltd. June 1997