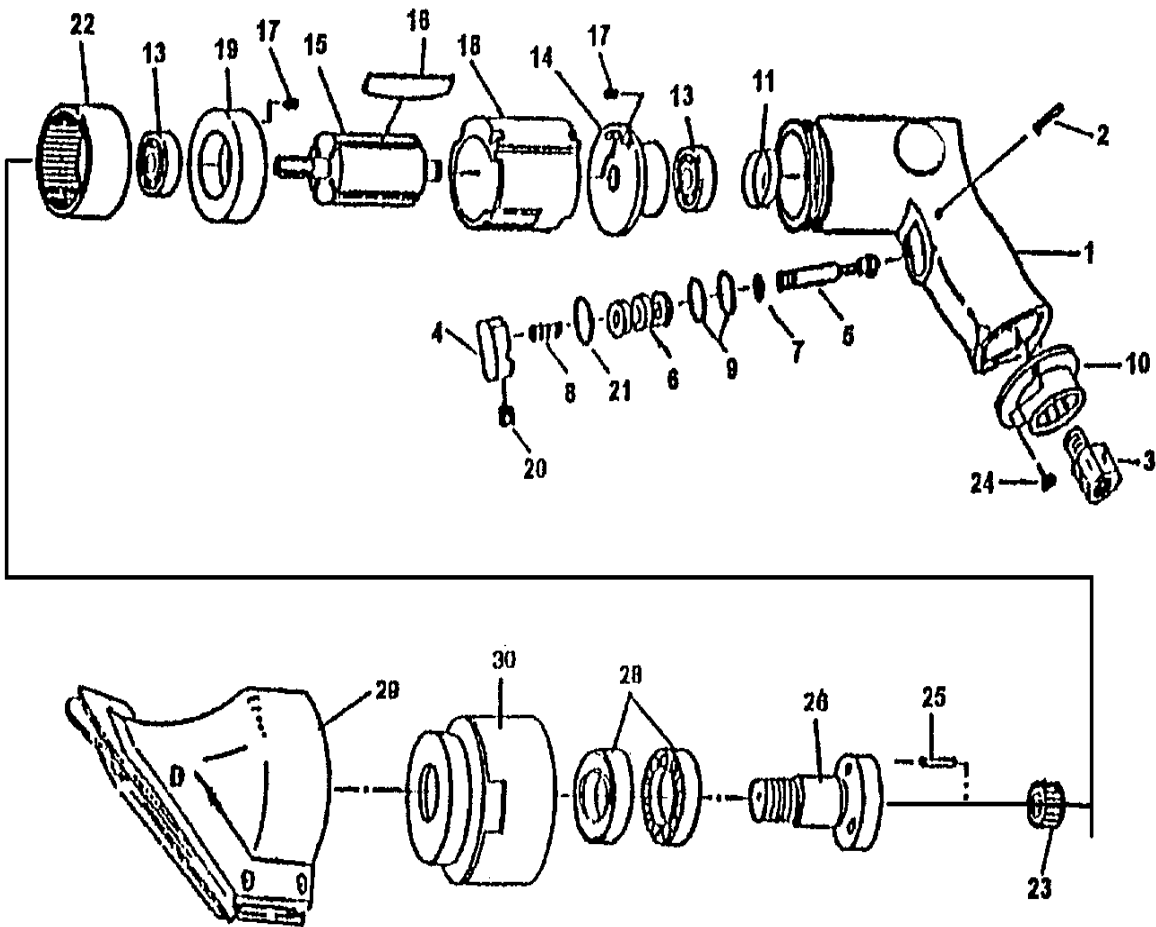


Order Code: KBE-270-3900K

## Spare Parts Breakdown



## OIL DAILY

| No. | Order Code    | Description   |
|-----|---------------|---------------|
| 1   | KBE-298-0338S | Motor Housing |
| 2   | KBE-298-1919S | Pin           |
| 3   | KBE-298-1922S | Air Inlet     |
| 4   | KBE-298-1925S | Trigger       |
| 5   | KBE-298-1928S | Valve Stem    |
| 6   | KBE-298-1931S | Valve Bushing |
| 7   | KBE-298-1934S | O-Ring        |
| 8   | KBE-298-1937S | Spring        |
| 9   | KBE-298-1940S | O-Ring (2)    |
| 10  | KBE-298-1943S | Muffler       |
| 11  | KBE-298-0368S | Bearing Cap   |
| 13  | CES-298-0627B | Bearing (2)   |
| 14  | KBE-298-0371S | Rear Plate    |
| 15  | KBE-298-0374S | Rotor         |

| No. | Order Code    | Description      |
|-----|---------------|------------------|
| 16  | KBE-298-0377S | Rotor Blades (4) |
| 17  | KBE-298-1955S | Pin (2)          |
| 18  | KBE-298-1958S | Cylinder         |
| 19  | KBE-298-0386S | Front End Plate  |
| 20  | KBE-298-1964S | Screw            |
| 21  | KBE-298-1967S | O-Ring           |
| 22  | KBE-298-0395S | Internal Gear    |
| 23  | KBE-298-0398S | Planet Gears (3) |
| 24  | KBE-298-0401S | Screw (2)        |
| 25  | KBE-298-0404S | Planet Pin (3)   |
| 26  | KBE-298-0407S | Planet Cage      |
| 28  | CES-298-6203D | Bearing (2)      |
| 29  | KBE-280-0022A | Shear Head       |
| 30  | KBE-298-0410S | Front Housing    |

Distributed by:

**KENNEDY TOOLS**

Wigston Works, Leicester, England.

ISO 9002 REGISTERED COMPANY

©The Kennedy Group Ltd. March 1997